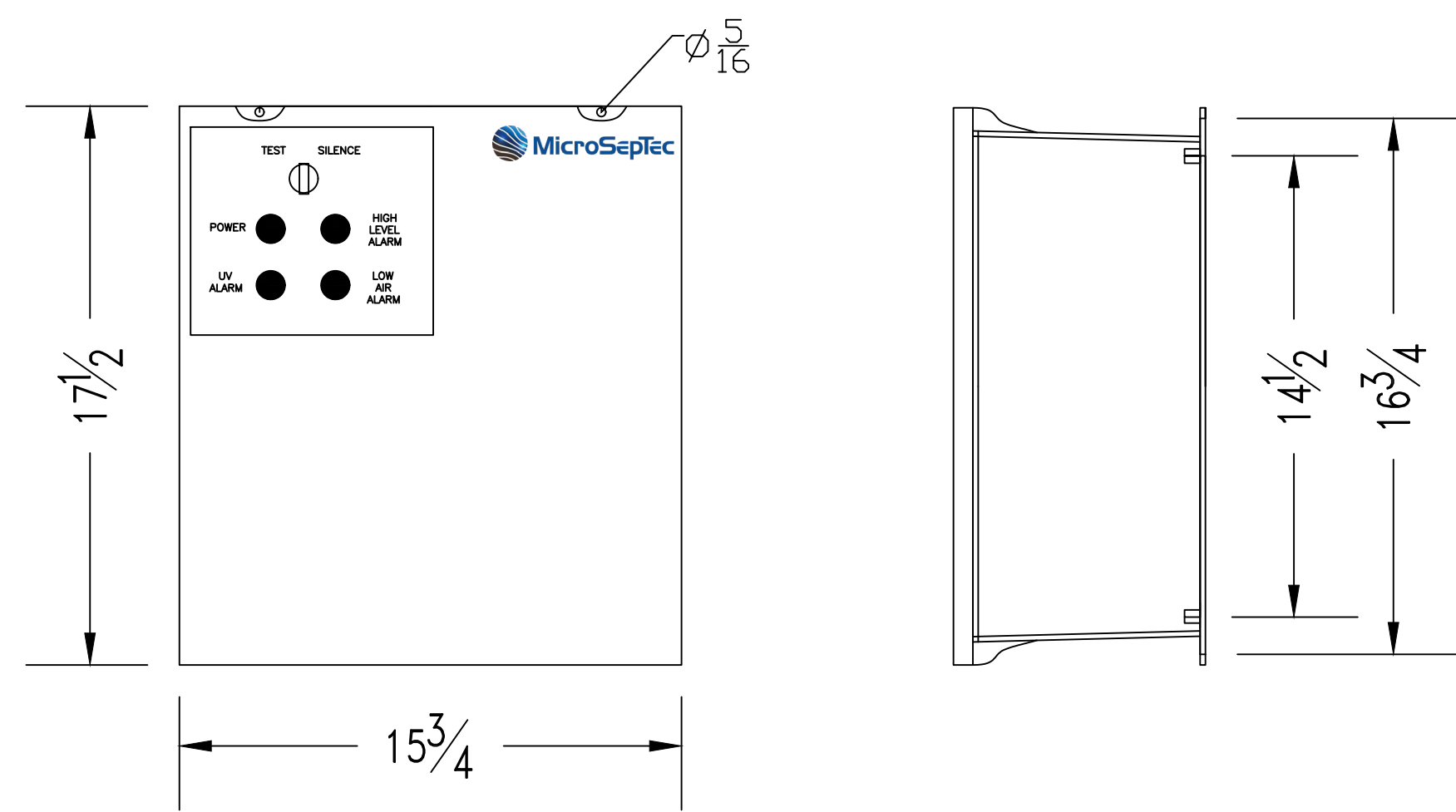
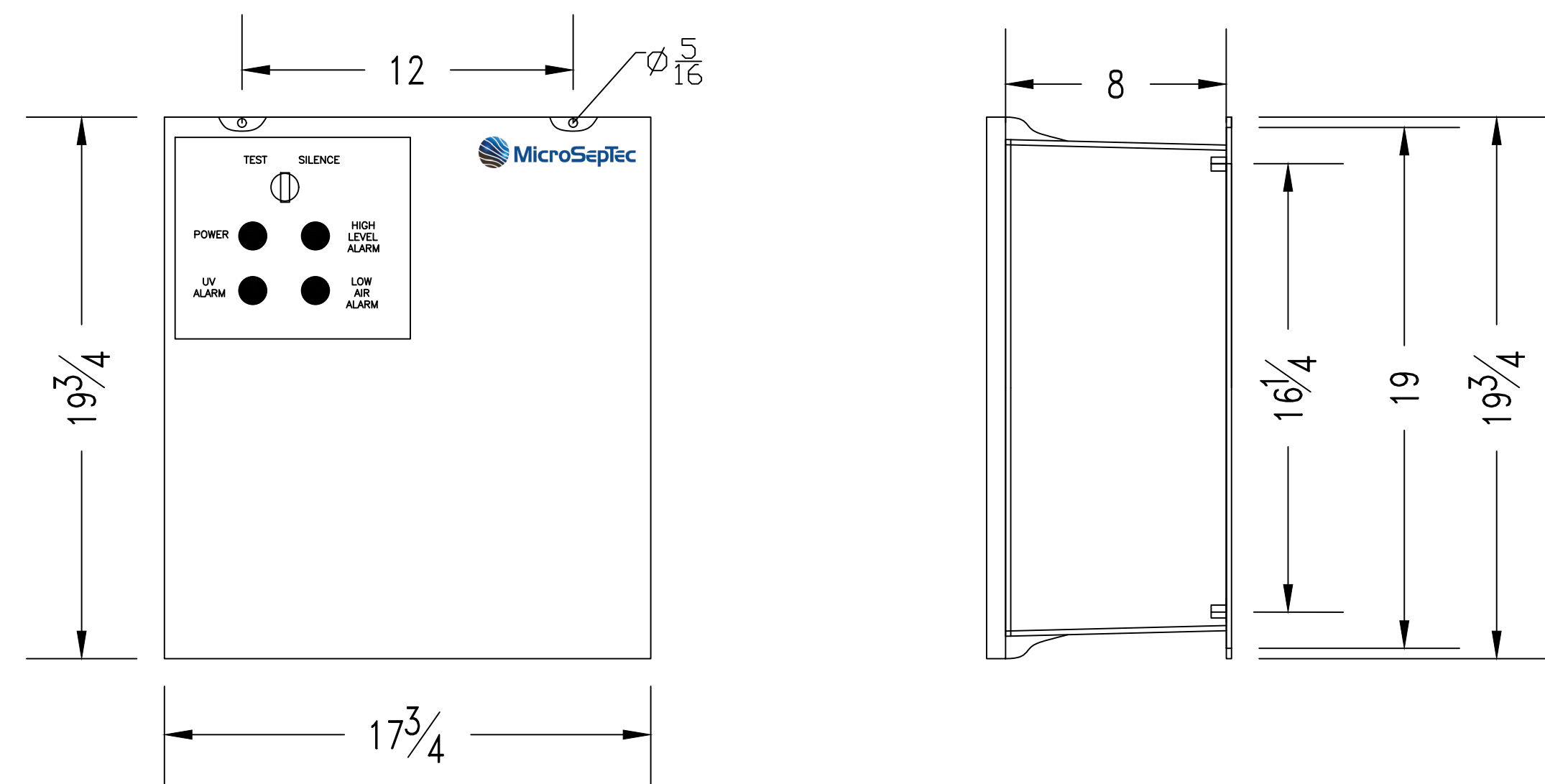


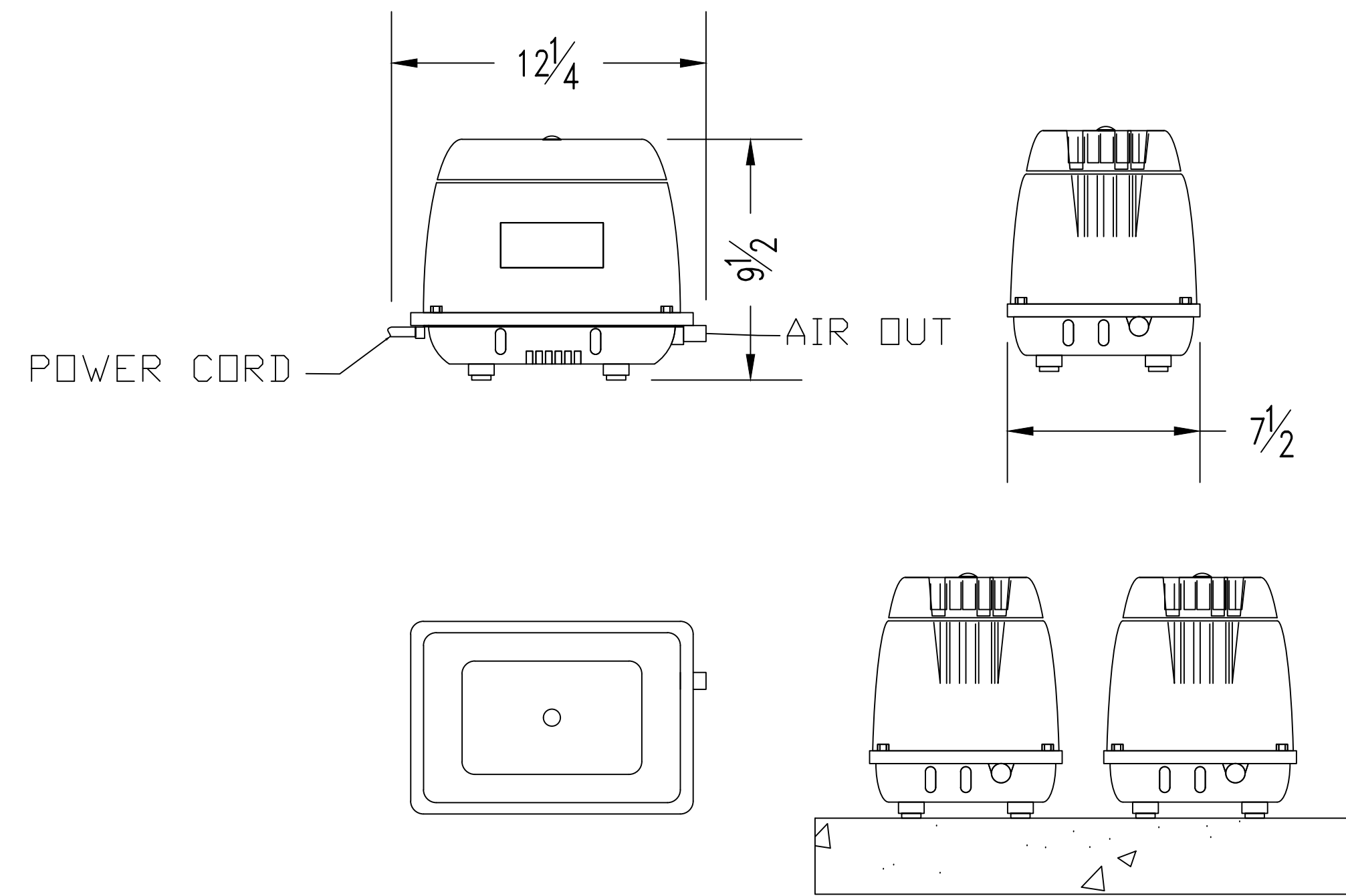
ALARM CONTROL PANEL MCP-G & MCPR-G



ALARM CONTROL PANEL MCPR-1DP & MCPR-2DP



AIR COMPRESSOR



1. COMPRESSORS SHOULD BE LOCATED IN A WELL-VENTILATED AND ACCESSIBLE SHADY PLACE. AN INDOOR LOCATION LIKE A SHED OR GARAGE IS IDEAL.
2. ELEVATED OFF THE GROUND SO THAT SURFACE WATER CANNOT ENTER THE ELECTRICAL TERMINALS WITHIN THE COMPRESSOR.
3. LOCATED AS CLOSE TO THE TANK AS POSSIBLE. DO NOT EXCEED 50' DISTANCE FROM TANK.
4. PLUMBING FROM COMPRESSORS ENTER MIDDLE RISER
5. PIPE FROM COMPRESSOR TO AIR SUPPLY INLET MUST FALL TOWARD TANK WITH NO LOW POINTS
6. 1" SCH 80 PVC PIPE IS REQUIRED FOR PLUMBING THE COMPRESSOR(S) TO THE MIDDLE RISER; ONE PIPE PER COMPRESSOR.
7. FOR COLD WEATHER INSTALLATION (WHERE AMBIENT AIR TEMPERATURE FALLS BELOW 32°F FOR EXTENDED PERIODS OF TIME) INSULATION OF THE AIRLINES FROM THE COMPRESSOR IS RECOMMENDED



10 W AIRPARK VISTA BLVD
DAYTON, NV 89403
1(877)-4SEPTIC [1(877)473-7842]
WWW.MICROSEPTEC.COM

NOTES

- GENERAL:
1. THE MIDDLE THREE CHAMBERS SHOULD NEVER BE PUMPED DRY, ESPECIALLY IN HIGH GROUNDWATER CONDITIONS
 2. RISERS AND RISER ADAPTERS NOT SUPPLIED BY MICROSEPTEC
 3. PLUMBING DIMENSIONS FROM OUTSIDE EDGE OF TANK TO INVERT OF INLET AND OUTLET
 4. CONTRACTOR TO PROVIDE ADDITIONAL PLUMBING FOR ANY BURIAL DEPTH GREATER THAN 4FT
 5. SITE-SPECIFIC CHARACTERISTICS INCLUDING BUT NOT LIMITED TO: BURIAL DEPTH, TRAFFIC OR OTHER EXTERNAL LOADING, SEASONAL GROUNDWATER, AND SOIL CHARACTERISTICS SHOULD BE CONFIRMED WITH A LOCAL DESIGN ENGINEER BEFORE INSTALLATION
- TANK BURIAL:
6. THE DESIGNED TANK BURIAL DEPTH IS 2FT TO 6FT. ANY TANK BURIED BEYOND THAT RANGE MUST BE ANALYZED BY A LOCAL DESIGN ENGINEER
 7. COVER TO BE A MINIMUM OF 2FT.
 8. ENGINEERED BACKFILL TO BE A MINIMUM OF 12" ALONG SIDES AND BOTTOM OF TANK
 9. GEOLOGIST OR GEOTECHNICAL ENG. TO DETERMINE IF ANCHORS AND TEXTILE FILTER ARE REQUIRED.
 10. DEPTH OF SOIL SLOPE CUT PER LOCAL CODE OR SOIL REPORT
 11. VERTICAL CUT FOR FILL HEIGHT CAN BE DONE IF APPROVED BY LOCAL CODE OR SOIL ENGINEER
 12. GEOLOGIST OR SHOULD DETERMINE IF CORROSIVE RESISTANT MATERIAL SHOULD BE USED IN ANY STEEL PARTS EXPOSED IN THE SOIL. SEE SHEET IN06-01
- ANCHORING:
13. ANCHORING AND ANTI-FLOATATION DESIGNS ARE NOT A ONE-SIZE-FITS-ALL DESIGN AND CONSIDER THE FOLLOWING CONDITIONS:
 - 13.1. AT LEAST 2FT OF COVER
 - 13.2. GROUNDWATER AT GRADE
 - 13.3. MIDDLE THREE TANK CHAMBERS ARE 1/2 FULL OF WATER
 14. TO DETERMINE THE EQUIVALENT FLUID WEIGHT OF EARTH OVER TOP OF THE TANK AND COUNTERWEIGHT, A GEOTECHNICAL ENGINEER OR OTHER PROFESSIONAL SHOULD BE CONSULTED
 15. CONTROL JOINTS FOR ANCHORS ARE DETERMINED BY GENERAL CONTRACTOR

DRAWN:	DATE:	JOB NUMBER:
AJM	2/10/21	ES4.5 INSTALLATION

REVISION:		
REVISION:	DATE:	DESCRIPTION:
1	09/15/2023 MJS	ADDRESS CHANGE OUTLET HEIGHT

SITE INFORMATION:

ES 4.5
INSTALLATION DRAWING

SHEET TITLE:

ALARM CONTROL PANEL
AND AIR COMPRESSOR DETAIL

SHEET NUMBER:

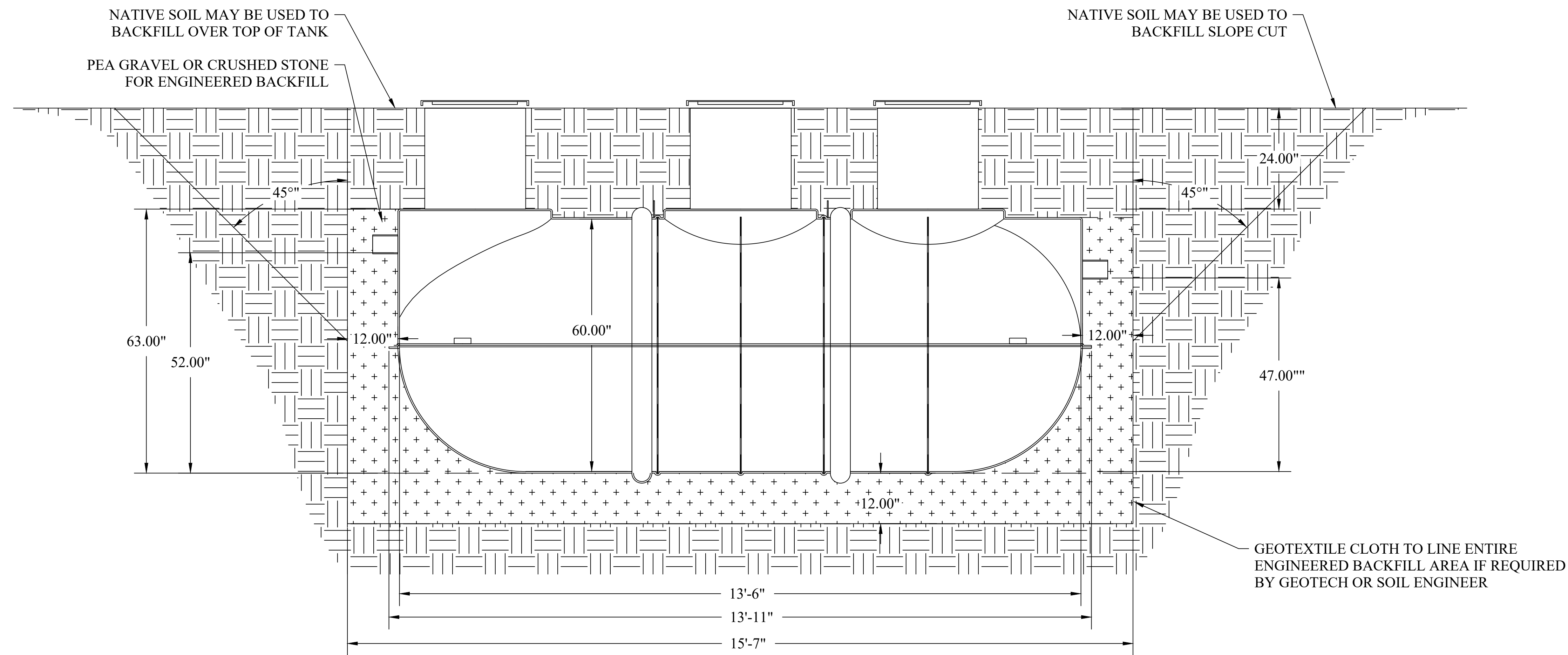
IN4.5-02

NOTES

- GENERAL:
1. THE MIDDLE THREE CHAMBERS SHOULD NEVER BE PUMPED DRY, ESPECIALLY IN HIGH GROUNDWATER CONDITIONS
 2. RISERS AND RISER ADAPTERS NOT SUPPLIED BY MICROSEPTEC
 3. PLUMBING DIMENSIONS FROM OUTSIDE EDGE OF TANK TO INVERT OF INLET AND OUTLET
 4. CONTRACTOR TO PROVIDE ADDITIONAL PLUMBING FOR ANY BURIAL DEPTH GREATER THAN 4FT
 5. SITE-SPECIFIC CHARACTERISTICS INCLUDING BUT NOT LIMITED TO: BURIAL DEPTH, TRAFFIC OR OTHER EXTERNAL LOADING, SEASONAL GROUNDWATER, AND SOIL CHARACTERISTICS SHOULD BE CONFIRMED WITH A LOCAL DESIGN ENGINEER BEFORE INSTALLATION

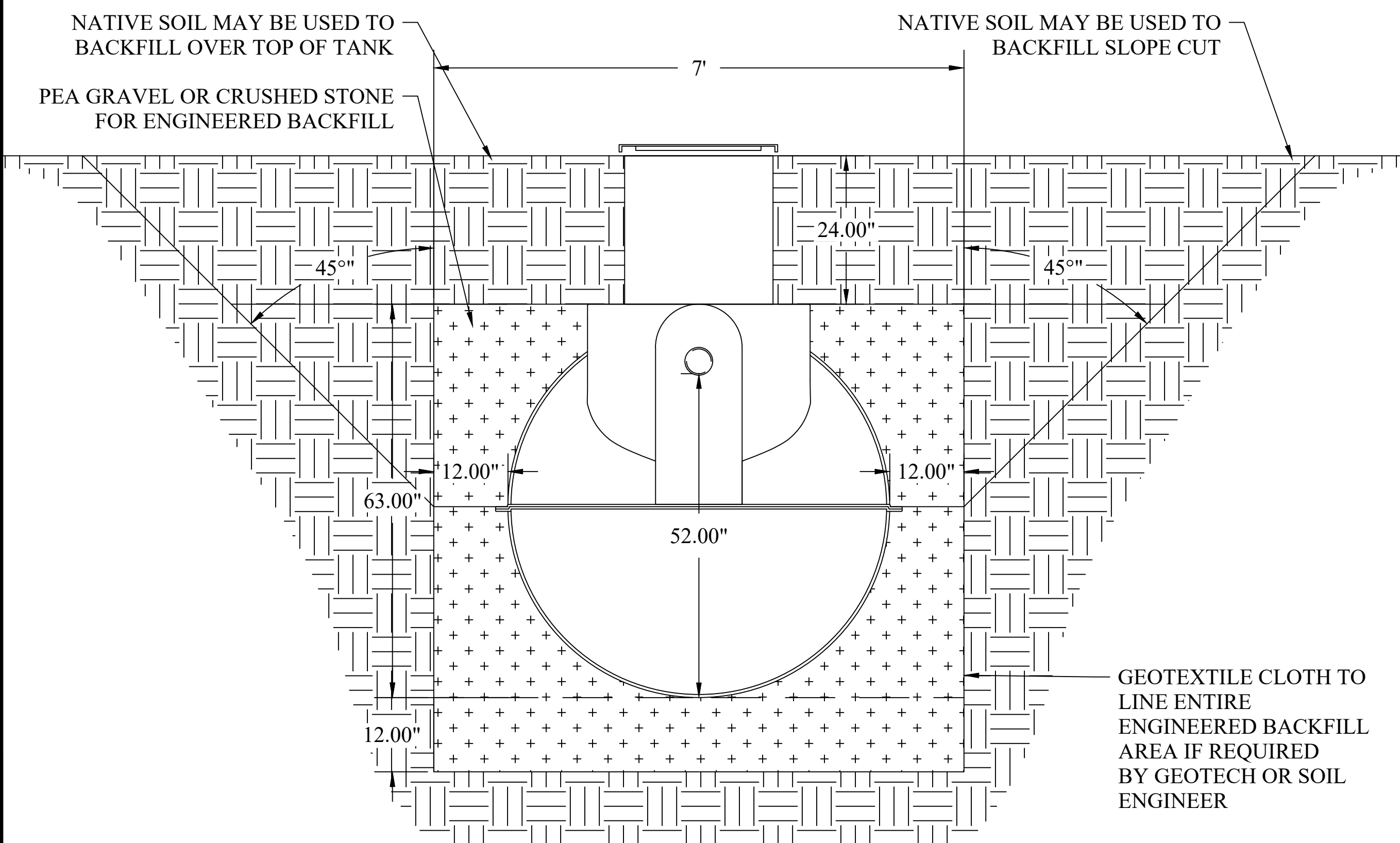
- TANK BURIAL:
6. THE DESIGNED TANK BURIAL DEPTH IS 2FT TO 6FT. ANY TANK BURIED BEYOND THAT RANGE MUST BE ANALYZED BY A LOCAL DESIGN ENGINEER
 7. COVER TO BE A MINIMUM OF 2FT.
 8. ENGINEERED BACKFILL TO BE A MINIMUM OF 12" ALONG SIDES AND BOTTOM OF TANK
 9. GEOLOGIST OR GEOTECHNICAL ENG. TO DETERMINE IF ANCHORS AND TEXTILE FILTER ARE REQUIRED
 10. DEPTH OF SOIL SLOPE CUT PER LOCAL CODE OR SOIL REPORT
 11. VERTICAL CUT FOR FILL HEIGHT CAN BE DONE IF APPROVED BY LOCAL CODE OR SOIL ENGINEER
 12. GEOLOGIST OR SHOULD DETERMINE IF CORROSIVE RESISTANT MATERIAL SHOULD BE USED IN ANY STEEL PARTS EXPOSED IN THE SOIL. SEE SHEET IN06-01

- ANCHORING:
13. ANCHORING AND ANTI-FLOATATION DESIGNS ARE NOT A ONE-SIZE-FITS-ALL DESIGN AND CONSIDER THE FOLLOWING CONDITIONS:
 - 13.1. AT LEAST 2FT OF COVER
 - 13.2. GROUNDWATER AT GRADE
 - 13.3. MIDDLE THREE TANK CHAMBERS ARE 1/2 FULL OF WATER
 14. TO DETERMINE THE EQUIVALENT FLUID WEIGHT OF EARTH OVER TOP OF THE TANK AND COUNTERWEIGHT, A GEOTECHNICAL ENGINEER OR OTHER PROFESSIONAL SHOULD BE CONSULTED
 15. CONTROL JOINTS FOR ANCHORS ARE DETERMINED BY GENERAL CONTRACTOR



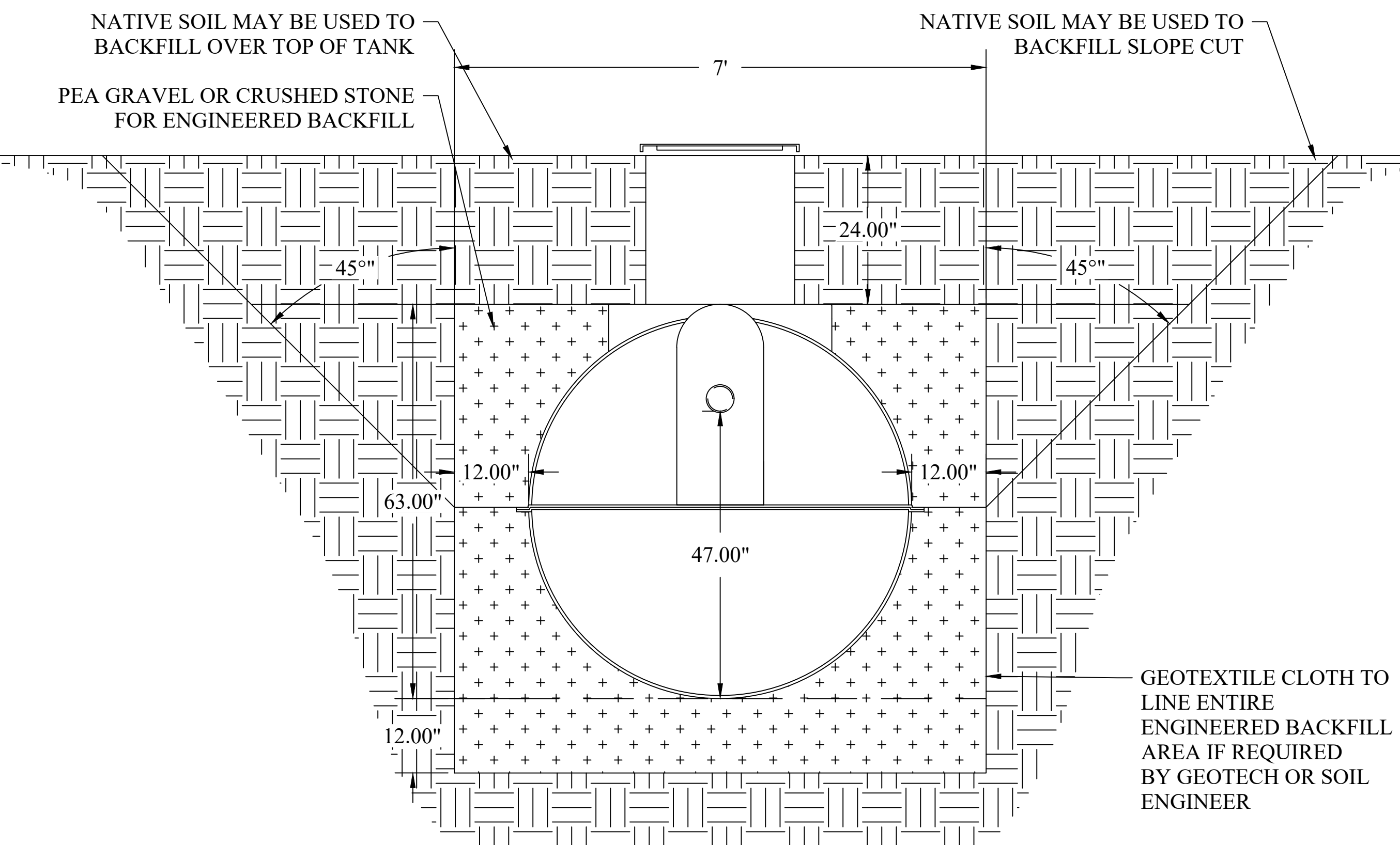
TANK INSTALLATION LAYOUT (ELEVATION VIEW)

SCALE 1:16 1



TANK INLET VIEW

SCALE 1:16 2



TANK OUTLET VIEW

SCALE 1:16 3

DRAWN:	DATE:	JOB NUMBER:
AJM	2/10/21	ES4.5 INSTALLATION

REVISION:		
REVISION:	DATE:	DESCRIPTION:
1	09/15/2023 MS	ADDRESS CHANGE OUTLET HEIGHT

SITE INFORMATION:

ES 4.5
 INSTALLATION DRAWING

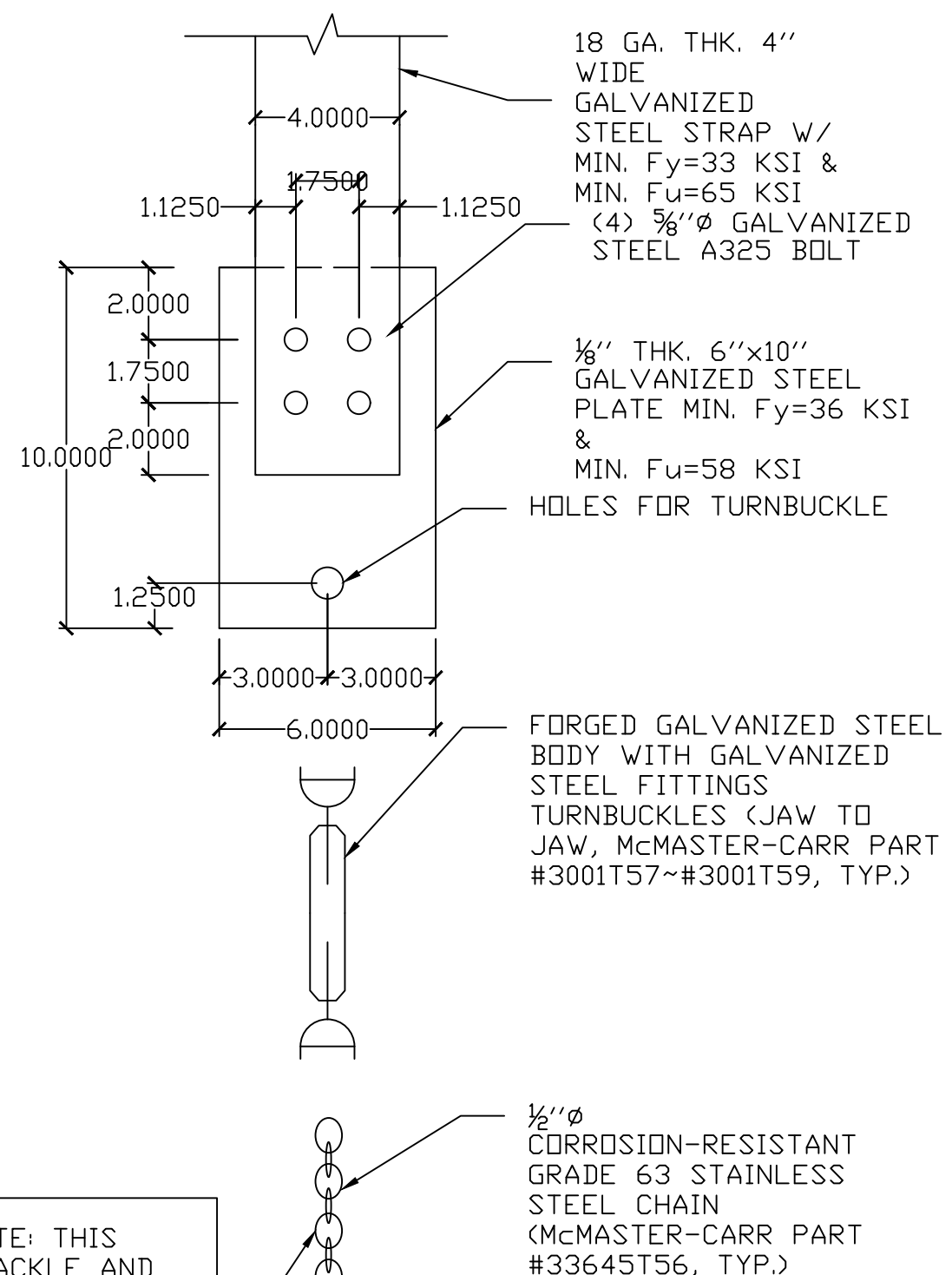
SHEET TITLE:

NON-TRAFFIC
 INSTALLATION (TYPICAL)

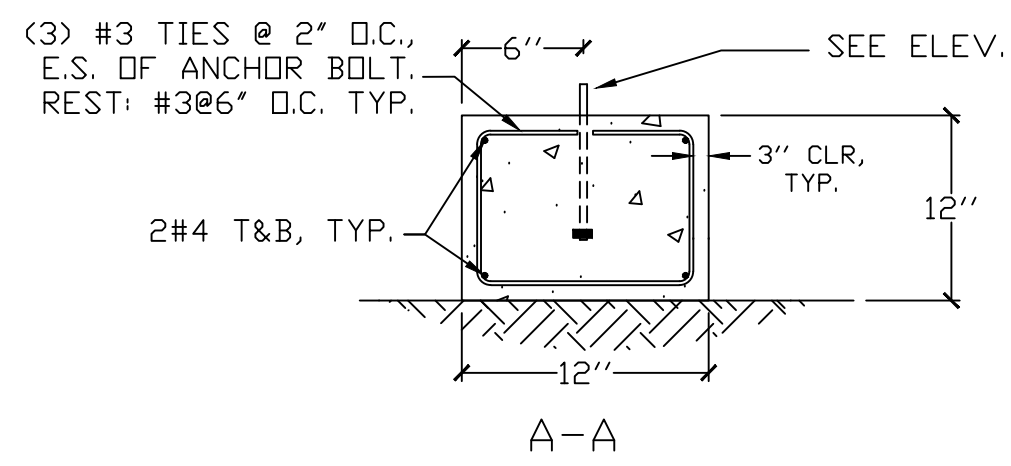
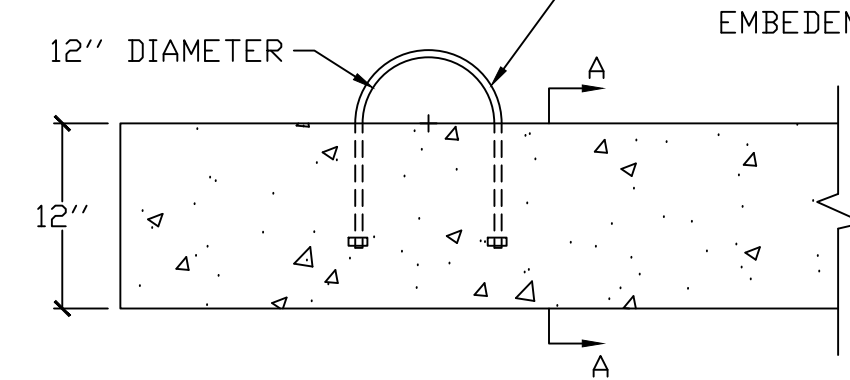
SHEET NUMBER:

IN4.5-03

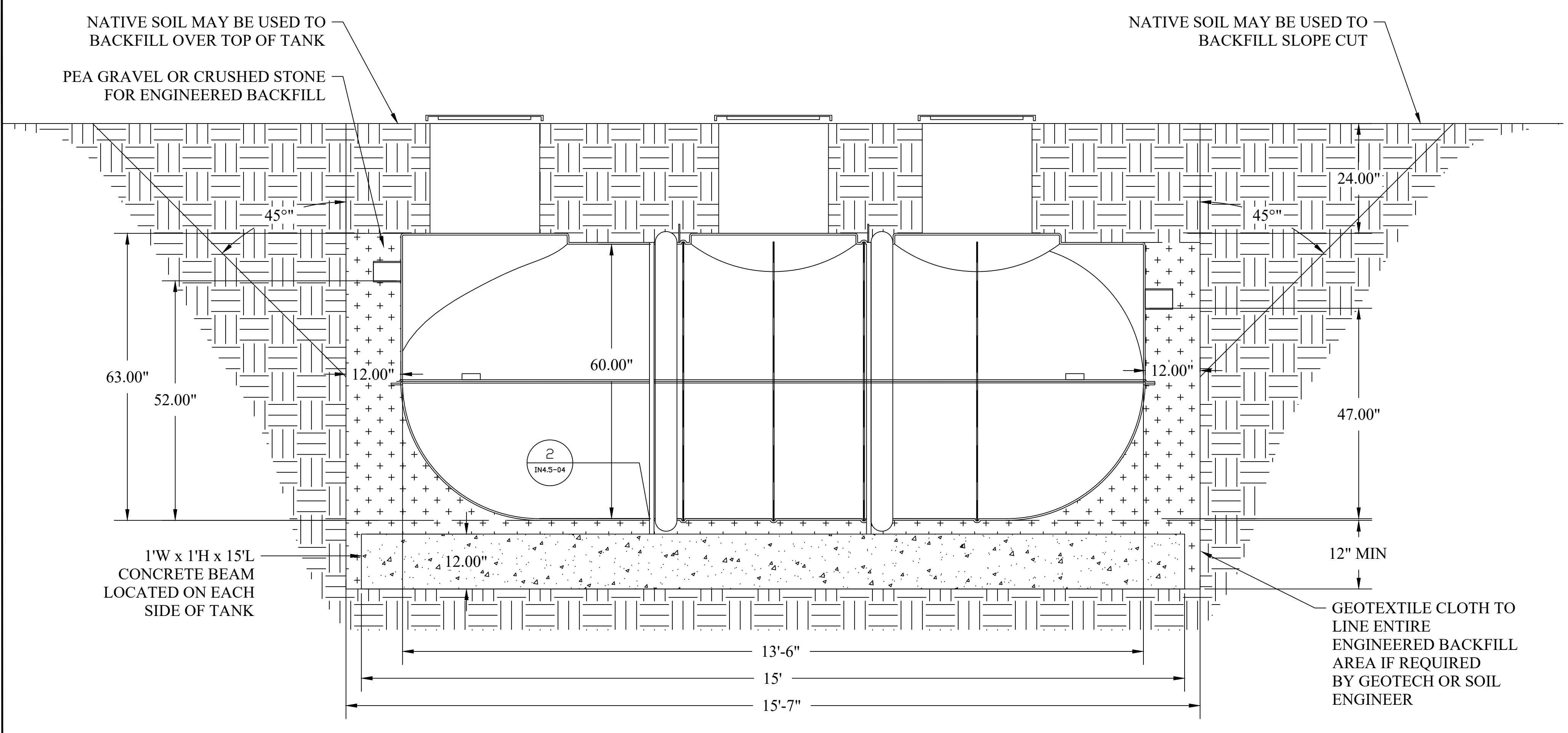
TIE DOWN AND ANCHOR BEAM ARE DESIGNED BASED ON THE MIDDLE THREE COMPARTMENTS OF THE TANK BEING $\frac{3}{4}$ FULL OF WATER WITH GROUNDWATER AT GRADE



NOTE: THIS SHACKLE AND CHAIN MAY NOT BE NEEDED IF ANCHOR ROD BELOW CAN GO THROUGH THE TURNBUCKLE ABOVE.

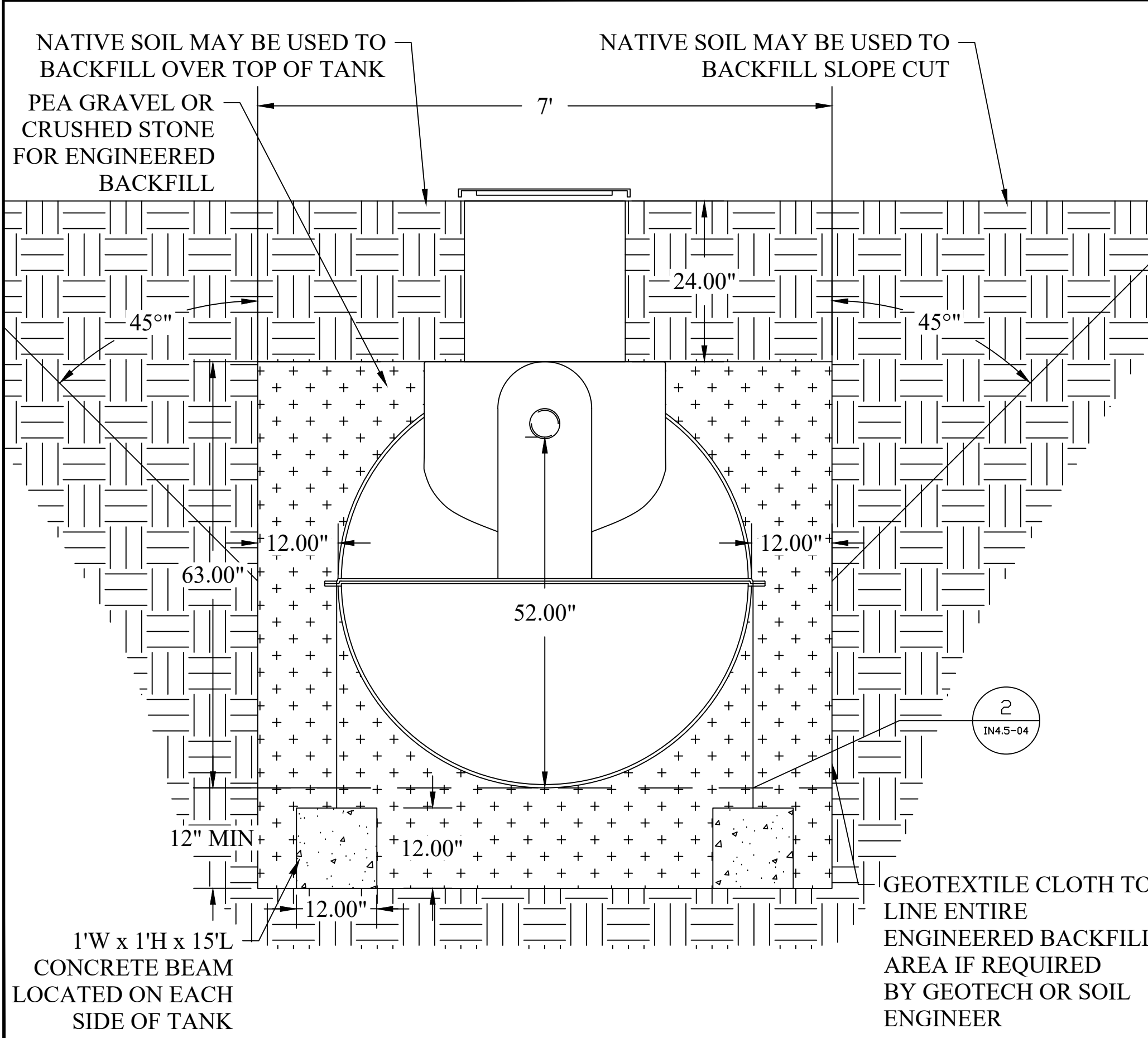


NOTE: ABOVE HARDWARE IS NOT INTENDED TO USE IN CORROSIIVE SOIL. GEOLOGIST OR GEOGRAPHICAL ENGINEER SHOULD DETERMINE IF CORROSIIVE RESISTANT MATERIAL(SUCH AS STAINLESS STEEL, OR SPECIAL COATING) SHOULD BE USED IN ANY STEEL PARTS EXPOSED IN THE SOIL. SEE SHEET IN06-01.



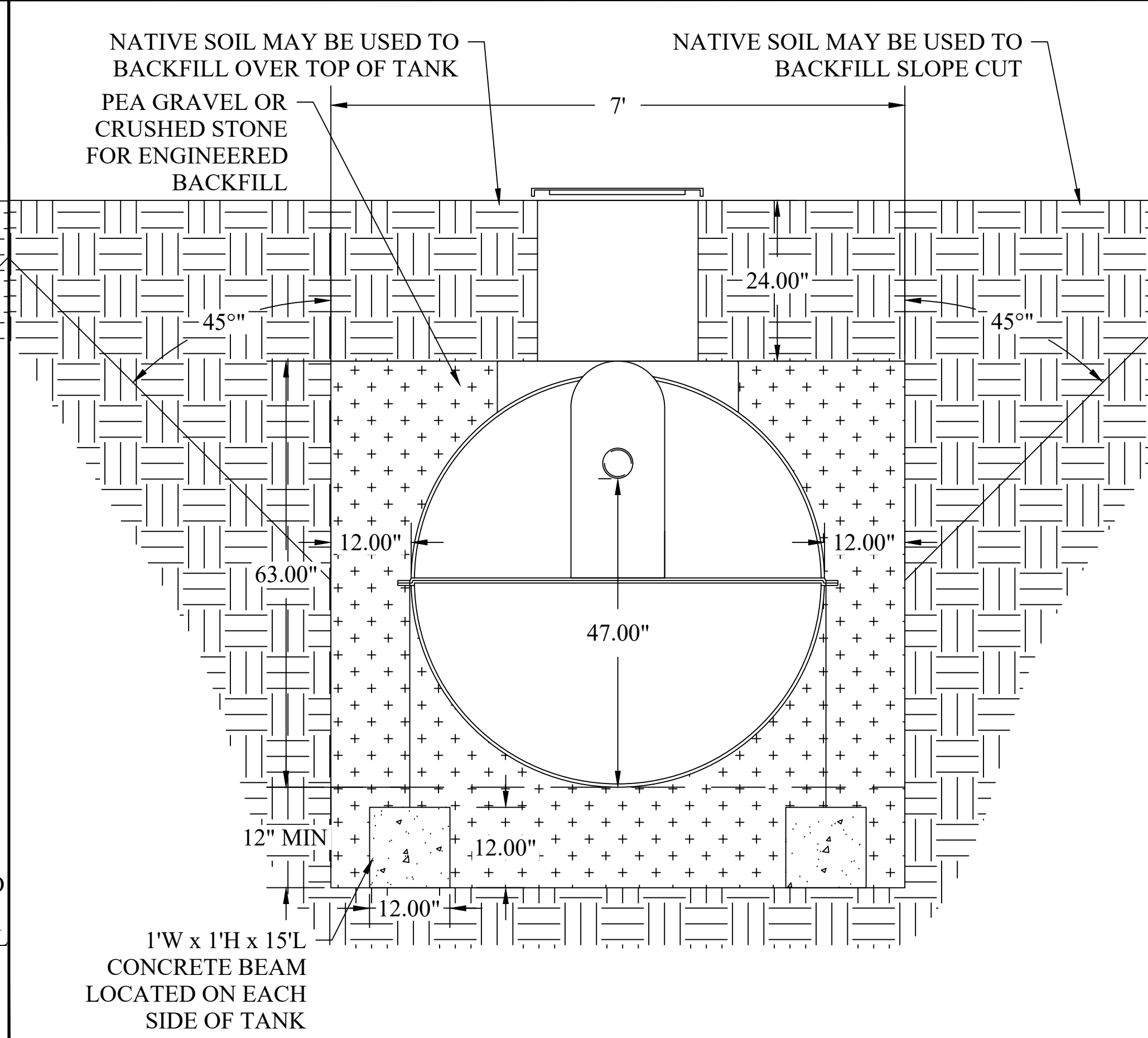
TANK INSTALLATION LAYOUT (ELEVATION VIEW)

SCALE 1:16 1



TANK INLET VIEW

SCALE 1:16 3



TANK OUTLET VIEW

SCALE 1:16 4

NOTES

- GENERAL:
- THE MIDDLE THREE CHAMBERS SHOULD NEVER BE PUMPED DRY, ESPECIALLY IN HIGH GROUNDWATER CONDITIONS
 - RISERS AND RISER ADAPTERS NOT SUPPLIED BY MICROSEPTEC
 - PLUMBING DIMENSIONS FROM OUTSIDE EDGE OF TANK TO INLET AND OUTLET
 - CONTRACTOR TO PROVIDE ADDITIONAL PLUMBING FOR ANY BURIAL DEPTH GREATER THAN 4FT
 - SITE-SPECIFIC CHARACTERISTICS INCLUDING BUT NOT LIMITED TO: BURIAL DEPTH, TRAFFIC OR OTHER EXTERNAL LOADING, SEASONAL GROUNDWATER, AND SOIL CHARACTERISTICS SHOULD BE CONFIRMED WITH A LOCAL DESIGN ENGINEER BEFORE INSTALLATION
- TANK BURIAL:
- THE DESIGNED TANK BURIAL DEPTH IS 2FT TO 6FT. ANY TANK BURIED BEYOND THAT RANGE MUST BE ANALYZED BY A LOCAL DESIGN ENGINEER
 - COVER TO BE A MINIMUM OF 2FT.
 - ENGINEERED BACKFILL TO BE A MINIMUM OF 12" ALONG SIDES AND BOTTOM OF TANK
 - GEOLOGIST OR GEOTECHNICAL ENG. TO DETERMINE IF ANCHORS AND TEXTILE FILTER ARE REQUIRED.
 - DEPTH OF SOIL SLOPE CUT PER LOCAL CODE OR SOIL REPORT
 - VERTICAL CUT FOR FILL HEIGHT CAN BE DONE IF APPROVED BY LOCAL CODE OR SOIL ENGINEER
 - GEOLOGIST OR SHOULD DETERMINE IF CORROSIIVE RESISTANT MATERIAL SHOULD BE USED IN ANY STEEL PARTS EXPOSED IN THE SOIL. SEE SHEET IN06-01
- ANCHORING:
- ANCHORING AND ANTI-FLOATATION DESIGNS ARE NOT A ONE-SIZE-FITS-ALL DESIGN AND CONSIDER THE FOLLOWING CONDITIONS:
 - AT LEAST 2FT OF COVER
 - GROUNDWATER AT GRADE
 - MIDDLE THREE TANK CHAMBERS ARE $\frac{3}{4}$ FULL OF WATER
 - TO DETERMINE THE EQUIVALENT FLUID WEIGHT OF EARTH OVER TOP OF THE TANK AND COUNTERWEIGHT, A GEOTECHNICAL ENGINEER OR OTHER PROFESSIONAL SHOULD BE CONSULTED
 - CONTROL JOINTS FOR ANCHORS ARE DETERMINED BY GENERAL CONTRACTOR

DRAWN:	DATE:	JOB NUMBER:
AJM	2/10/21	ES4.5 INSTALLATION

REVISION:		
REVISION:	DATE:	DESCRIPTION:
1	09/15/2023 MJS	ADDRESS CHANGE OUTLET HEIGHT

SITE INFORMATION:

ES 4.5
INSTALLATION DRAWING

SHEET TITLE:

NON-TRAFFIC INSTALLATION
WITH ANTI-FLOATATION
ANCHORS

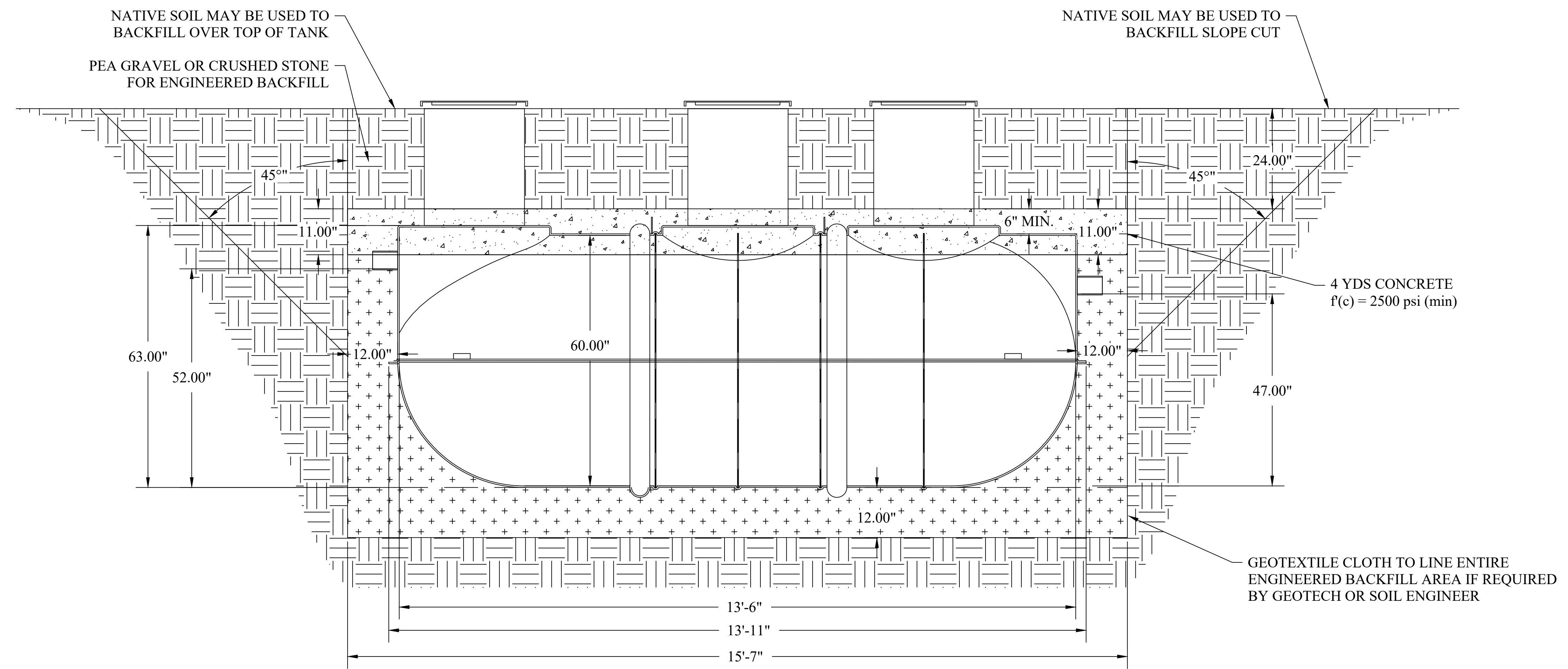
SHEET NUMBER:

IN4.5-04

ANCHOR DETAIL SCALE NONE 2

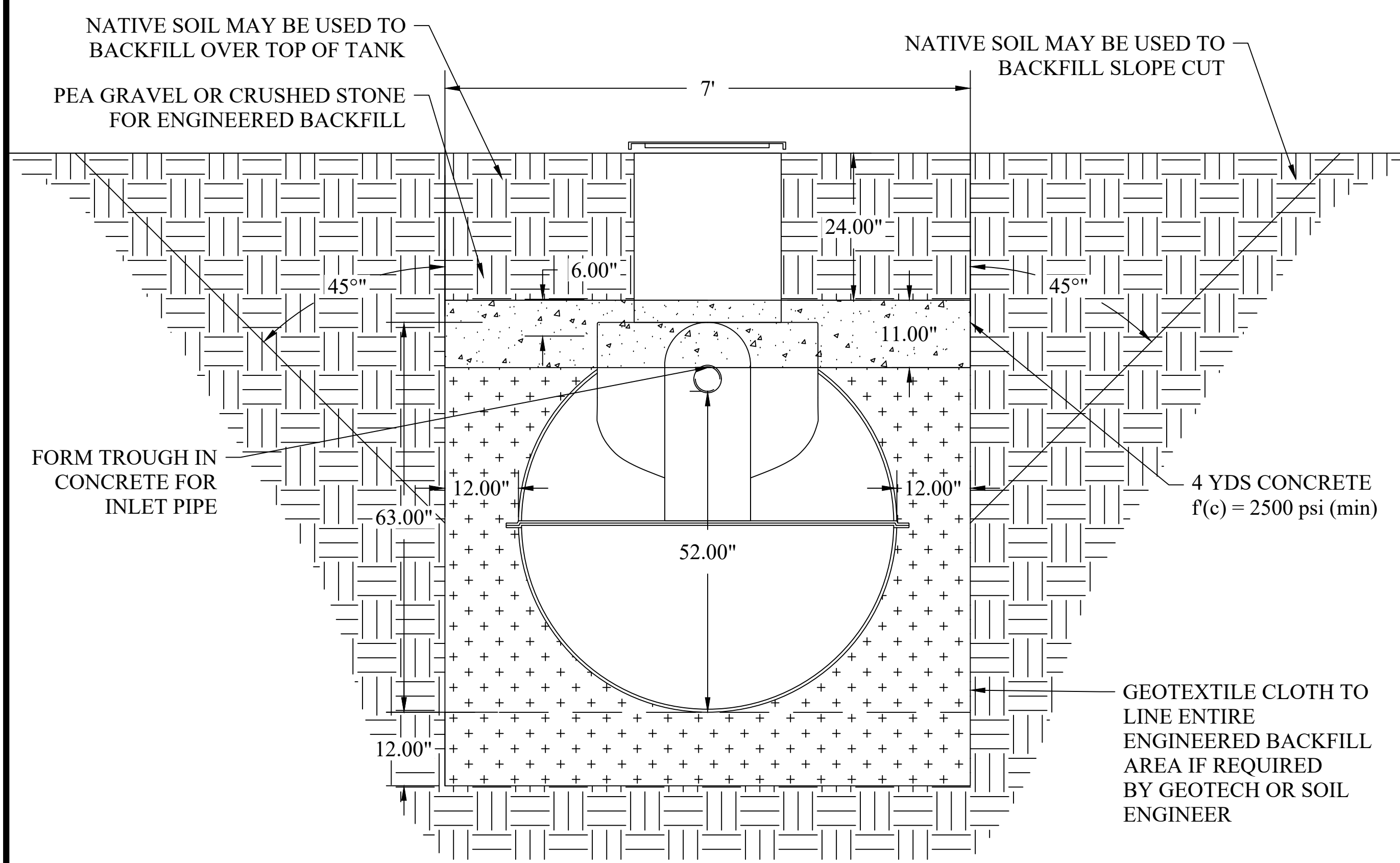
NOTES

- GENERAL:
- THE MIDDLE THREE CHAMBERS SHOULD NEVER BE PUMPED DRY, ESPECIALLY IN HIGH GROUNDWATER CONDITIONS
 - RISERS AND RISER ADAPTERS NOT SUPPLIED BY MICROSEPTEC
 - PLUMBING DIMENSIONS FROM OUTSIDE EDGE OF TANK TO INVERT OF INLET AND OUTLET
 - CONTRACTOR TO PROVIDE ADDITIONAL PLUMBING FOR ANY BURIAL DEPTH GREATER THAN 4FT
 - SITE-SPECIFIC CHARACTERISTICS INCLUDING BUT NOT LIMITED TO: BURIAL DEPTH, TRAFFIC OR OTHER EXTERNAL LOADING, SEASONAL GROUNDWATER, AND SOIL CHARACTERISTICS SHOULD BE CONFIRMED WITH A LOCAL DESIGN ENGINEER BEFORE INSTALLATION
- TANK BURIAL:
- THE DESIGNED TANK BURIAL DEPTH IS 2FT TO 6FT. ANY TANK BURIED BEYOND THAT RANGE MUST BE ANALYZED BY A LOCAL DESIGN ENGINEER
 - COVER TO BE A MINIMUM OF 2FT.
 - ENGINEERED BACKFILL TO BE A MINIMUM OF 12" ALONG SIDES AND BOTTOM OF TANK
 - GEOLOGIST OR GEOTECHNICAL ENG. TO DETERMINE IF ANCHORS AND TEXTILE FILTER ARE REQUIRED
 - DEPTH OF SOIL SLOPE CUT PER LOCAL CODE OR SOIL REPORT
 - VERTICAL CUT FOR FILL HEIGHT CAN BE DONE IF APPROVED BY LOCAL CODE OR SOIL ENGINEER
 - GEOLOGIST OR SHOULD DETERMINE IF CORROSIVE RESISTANT MATERIAL SHOULD BE USED IN ANY STEEL PARTS EXPOSED IN THE SOIL. SEE SHEET IN06-01
- ANCHORING:
- ANCHORING AND ANTI-FLOATATION DESIGNS ARE NOT A ONE-SIZE-FITS-ALL DESIGN AND CONSIDER THE FOLLOWING CONDITIONS:
 - AT LEAST 2FT OF COVER
 - GROUNDWATER AT GRADE
 - MIDDLE THREE TANK CHAMBERS ARE 1/2 FULL OF WATER
 - TO DETERMINE THE EQUIVALENT FLUID WEIGHT OF EARTH OVER TOP OF THE TANK AND COUNTERWEIGHT, A GEOTECHNICAL ENGINEER OR OTHER PROFESSIONAL SHOULD BE CONSULTED
 - CONTROL JOINTS FOR ANCHORS ARE DETERMINED BY GENERAL CONTRACTOR



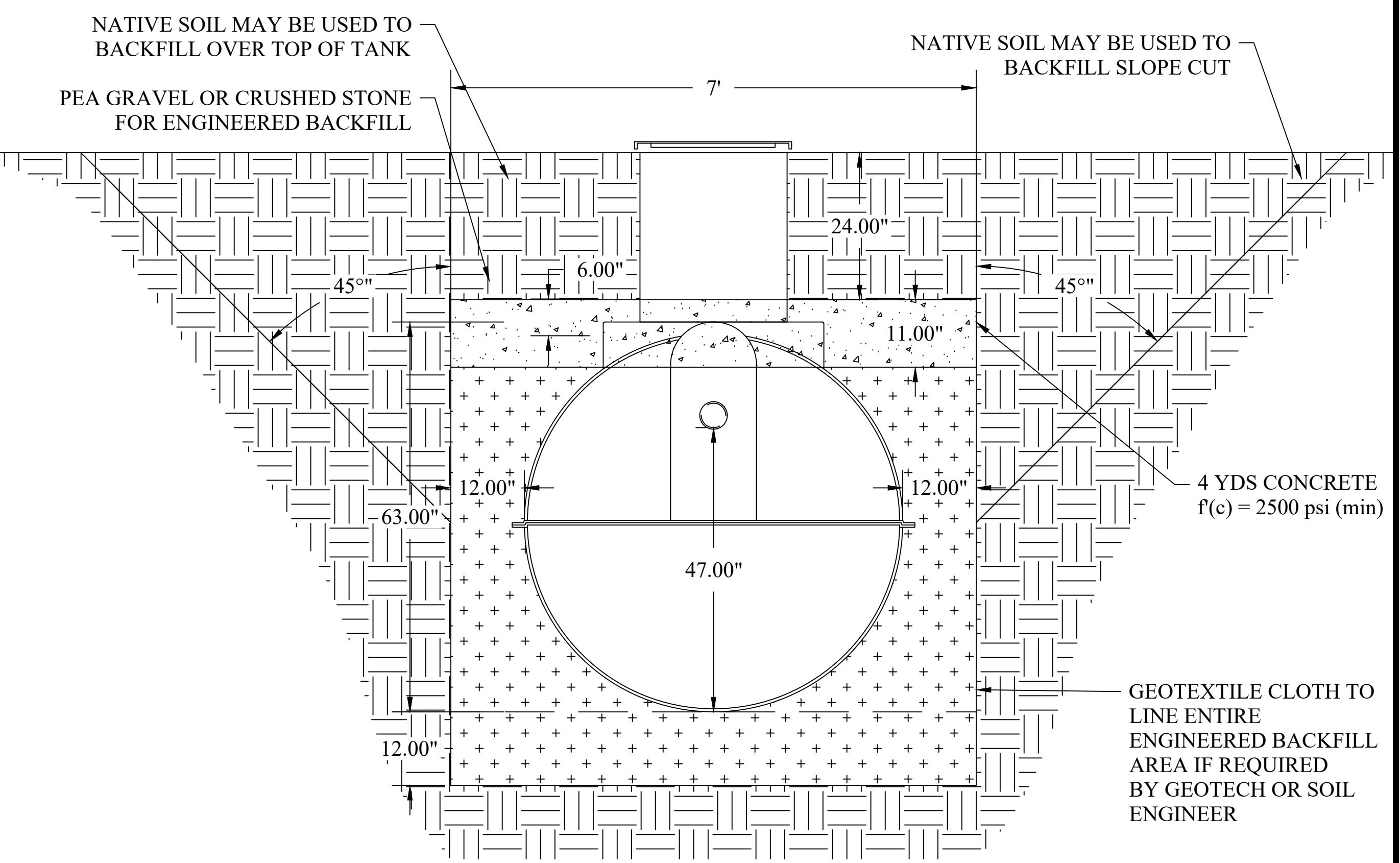
TANK INSTALLATION LAYOUT (ELEVATION VIEW)

SCALE 1:16 1



TANK INLET VIEW

SCALE 1:16 2



TANK OUTLET VIEW

SCALE 1:16 3

DRAWN:	DATE:	JOB NUMBER:
AJM	2/10/21	ES4.5 INSTALLATION

REVISION:		
REVISION:	DATE BY:	DESCRIPTION:
1	09/15/2023 MJS	ADDRESS CHANGE OUTLET HEIGHT

SITE INFORMATION:

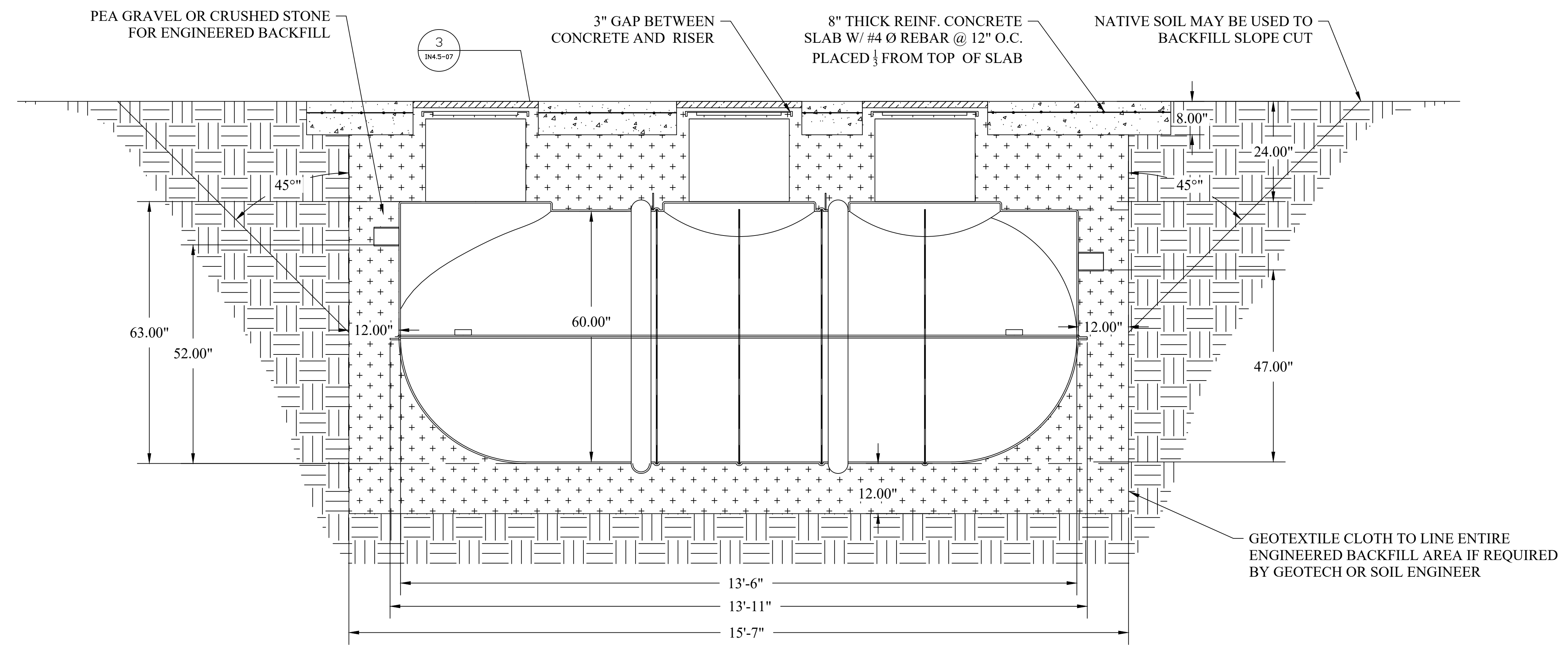
ES 4.5
 INSTALLATION DRAWING

SHEET TITLE:

NON-TRAFFIC INSTALLATION
 WITH ANTI-FLOATATION
 COLLAR

SHEET NUMBER:

IN4.5-05



NOTES

- GENERAL:
- THE MIDDLE THREE CHAMBERS SHOULD NEVER BE PUMPED DRY, ESPECIALLY IN HIGH GROUNDWATER CONDITIONS
 - RISERS AND RISER ADAPTERS NOT SUPPLIED BY MICROSEPTEC
 - PLUMBING DIMENSIONS FROM OUTSIDE EDGE OF TANK TO INVERT OF INLET AND OUTLET
 - CONTRACTOR TO PROVIDE ADDITIONAL PLUMBING FOR ANY BURIAL DEPTH GREATER THAN 4FT
 - SITE-SPECIFIC CHARACTERISTICS INCLUDING BUT NOT LIMITED TO: BURIAL DEPTH, TRAFFIC OR OTHER EXTERNAL LOADING, SEASONAL GROUNDWATER, AND SOIL CHARACTERISTICS SHOULD BE CONFIRMED WITH A LOCAL DESIGN ENGINEER BEFORE INSTALLATION
- TANK BURIAL:
- THE DESIGNED TANK BURIAL DEPTH IS 2FT TO 6FT. ANY TANK BURIED BEYOND THAT RANGE MUST BE ANALYZED BY A LOCAL DESIGN ENGINEER
 - ENGINEERED BACKFILL TO BE A MINIMUM OF 12" COVER TO BE A MINIMUM OF 2FT.
 - ENGINEERED BACKFILL TO BE A MINIMUM OF 12" ALONG SIDES AND BOTTOM OF TANK
 - GEOLOGIST OR GEOTECHNICAL ENG. TO DETERMINE IF ANCHORS AND TEXTILE FILTER ARE REQUIRED
 - DEPTH OF SOIL SLOPE CUT PER LOCAL CODE OR SOIL REPORT
 - VERTICAL CUT FOR FILL HEIGHT CAN BE DONE IF APPROVED BY LOCAL CODE OR SOIL ENGINEER
 - GEOLOGIST OR SHOULD DETERMINE IF CORROSIVE RESISTANT MATERIAL SHOULD BE USED IN ANY STEEL PARTS EXPOSED IN THE SOIL. SEE SHEET IN06-01
- ANCHORING:
- ANCHORING AND ANTI-FLOATATION DESIGNS ARE NOT A ONE-SIZE-FITS-ALL DESIGN AND CONSIDER THE FOLLOWING CONDITIONS:
 - AT LEAST 2FT OF COVER
 - GROUNDWATER AT GRADE
 - MIDDLE THREE TANK CHAMBERS ARE 1/2 FULL OF WATER
 - TO DETERMINE THE EQUIVALENT FLUID WEIGHT OF EARTH OVER TOP OF THE TANK AND COUNTERWEIGHT, A GEOTECHNICAL ENGINEER OR OTHER PROFESSIONAL SHOULD BE CONSULTED
 - CONTROL JOINTS FOR ANCHORS ARE DETERMINED BY GENERAL CONTRACTOR

TANK INSTALLATION LAYOUT (ELEVATION VIEW)

SCALE 1:16 1

DRAWN:	DATE:	JOB NUMBER:
AJM	2/10/21	ES4.5 INSTALLATION

REVISION:		
REVISION:	DATE:	DESCRIPTION:
1	09/15/2023 MS	ADDRESS CHANGE OUTLET HEIGHT

SITE INFORMATION:

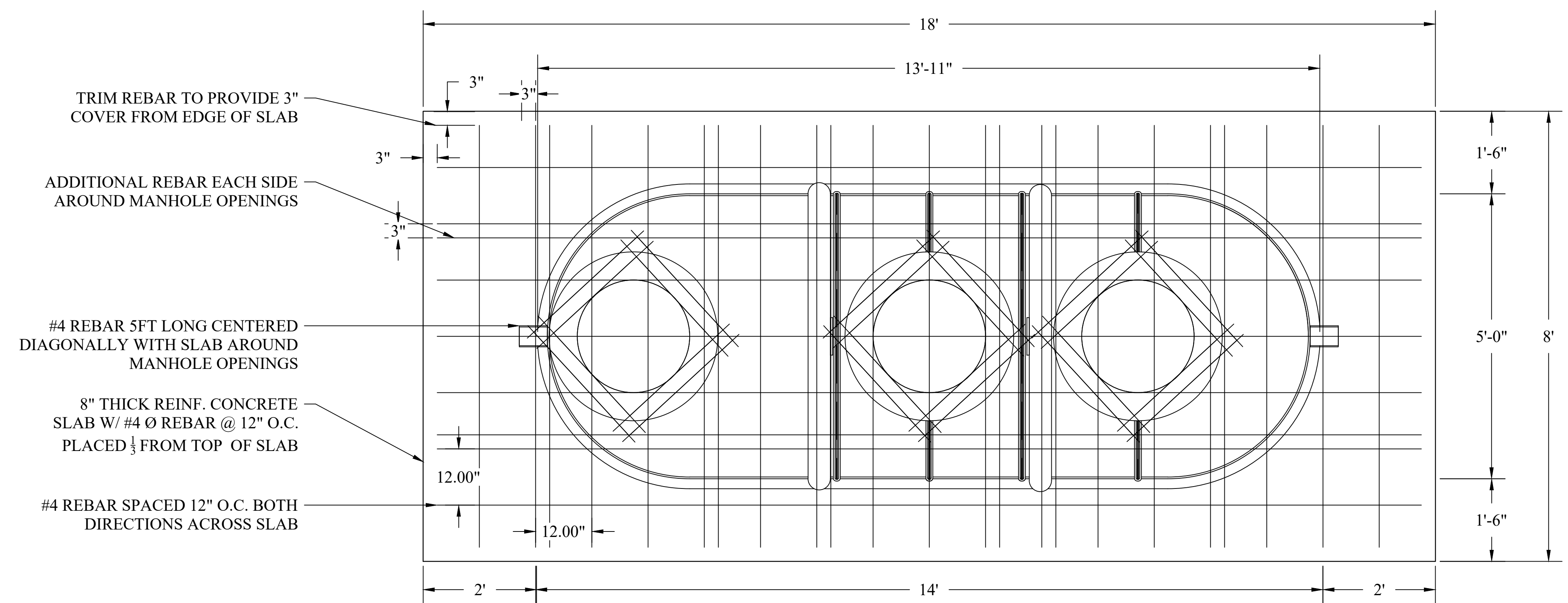
ES 4.5
 INSTALLATION DRAWING

SHEET TITLE:

H2O TRAFFIC SLAB
 INSTALLATION

SHEET NUMBER:

IN4.5-06



NOTES:

- CONTROL JOINTS DETERMINED BY CONTRACTOR
- 3" GAP MUST REMAIN BETWEEN CONCRETE SLAB AND FIBERGLASS RISERS

TANK INSTALLATION LAYOUT (PLAN VIEW)

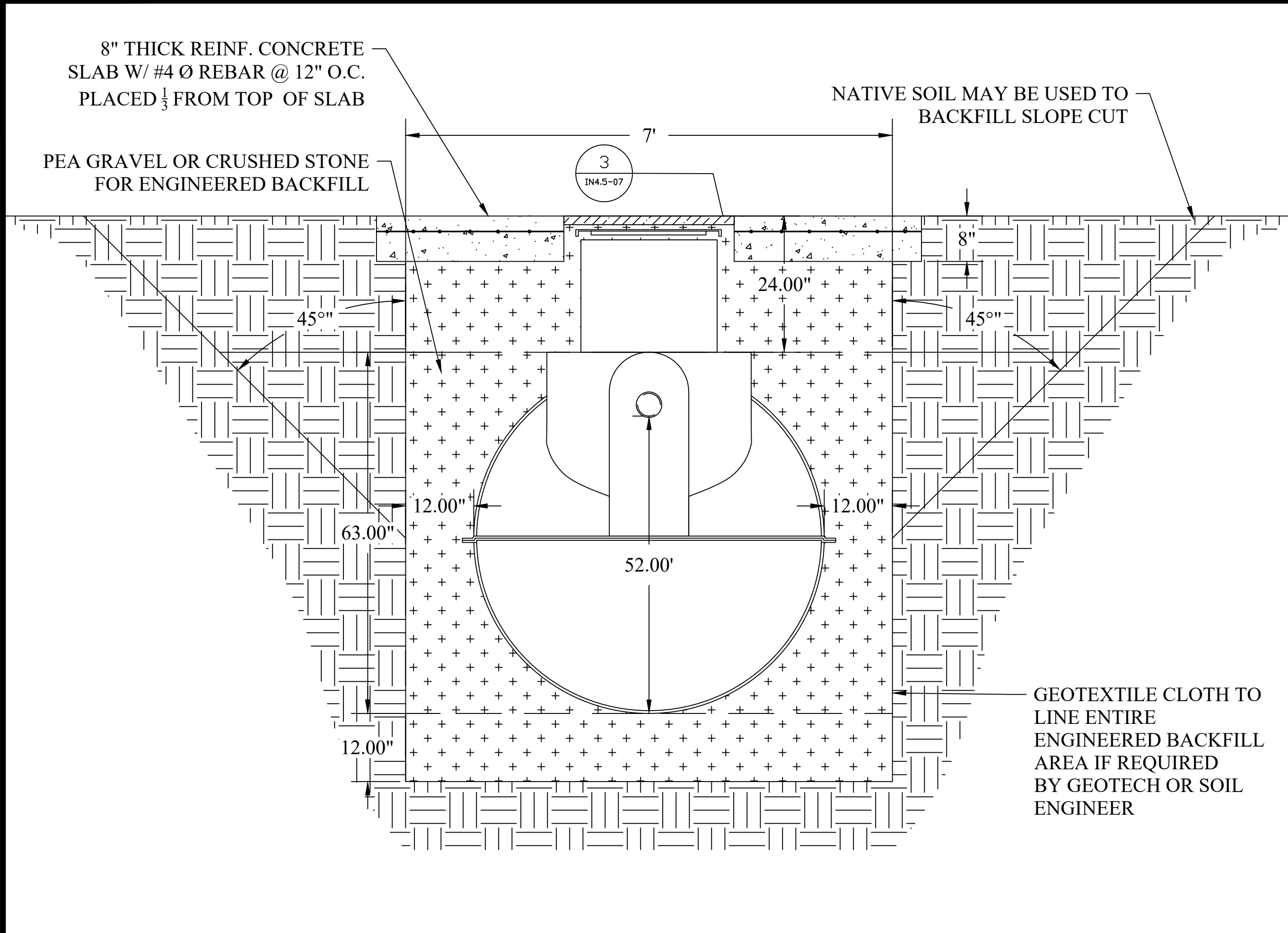
SCALE 1:16 2

NOTES

- GENERAL:
1. THE MIDDLE THREE CHAMBERS SHOULD NEVER BE PUMPED DRY, ESPECIALLY IN HIGH GROUNDWATER CONDITIONS
 2. RISERS AND RISER ADAPTERS NOT SUPPLIED BY MICROSEPTEC
 3. PLUMBING DIMENSIONS FROM OUTSIDE EDGE OF TANK TO INVERT OF INLET AND OUTLET
 4. CONTRACTOR TO PROVIDE ADDITIONAL PLUMBING FOR ANY BURIAL DEPTH GREATER THAN 4FT
 5. SITE-SPECIFIC CHARACTERISTICS INCLUDING BUT NOT LIMITED TO: BURIAL DEPTH, TRAFFIC OR OTHER EXTERNAL LOADING, SEASONAL GROUNDWATER, AND SOIL CHARACTERISTICS SHOULD BE CONFIRMED WITH A LOCAL DESIGN ENGINEER BEFORE INSTALLATION

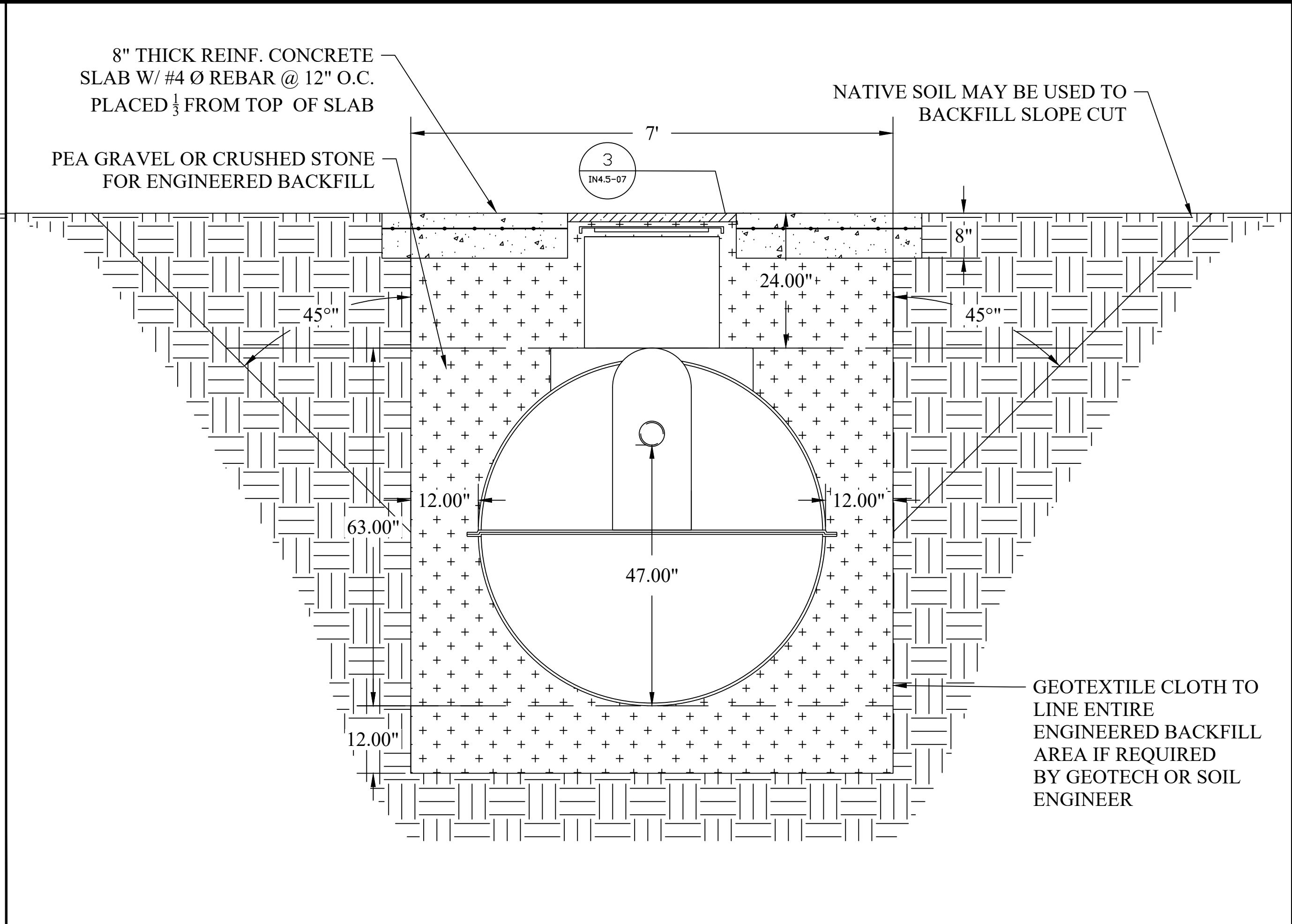
- TANK BURIAL:
6. THE DESIGNED TANK BURIAL DEPTH IS 2FT TO 6FT. ANY TANK BURIED BEYOND THAT RANGE MUST BE ANALYZED BY A LOCAL DESIGN ENGINEER
 7. COVER TO BE A MINIMUM OF 2FT.
 8. ENGINEERED BACKFILL TO BE A MINIMUM OF 12" ALONG SIDES AND BOTTOM OF TANK
 9. GEOLOGIST OR GEOTECHNICAL ENG. TO DETERMINE IF ANCHORS AND TEXTILE FILTER ARE REQUIRED
 10. DEPTH OF SOIL SLOPE CUT PER LOCAL CODE OR SOIL REPORT
 11. VERTICAL CUT FOR FILL HEIGHT CAN BE DONE IF APPROVED BY LOCAL CODE OR SOIL ENGINEER
 12. GEOLOGIST OR SHOULD DETERMINE IF CORROSIVE RESISTANT MATERIAL SHOULD BE USED IN ANY STEEL PARTS EXPOSED IN THE SOIL. SEE SHEET IN06-01

- ANCHORING:
13. ANCHORING AND ANTI-FLOATATION DESIGNS ARE NOT A ONE-SIZE-FITS-ALL DESIGN AND CONSIDER THE FOLLOWING CONDITIONS:
 - 13.1. AT LEAST 2FT OF COVER
 - 13.2. GROUNDWATER AT GRADE
 - 13.3. MIDDLE THREE TANK CHAMBERS ARE 1/2 FULL OF WATER
 14. TO DETERMINE THE EQUIVALENT FLUID WEIGHT OF EARTH OVER TOP OF THE TANK AND COUNTERWEIGHT, A GEOTECHNICAL ENGINEER OR OTHER PROFESSIONAL SHOULD BE CONSULTED
 15. CONTROL JOINTS FOR ANCHORS ARE DETERMINED BY GENERAL CONTRACTOR



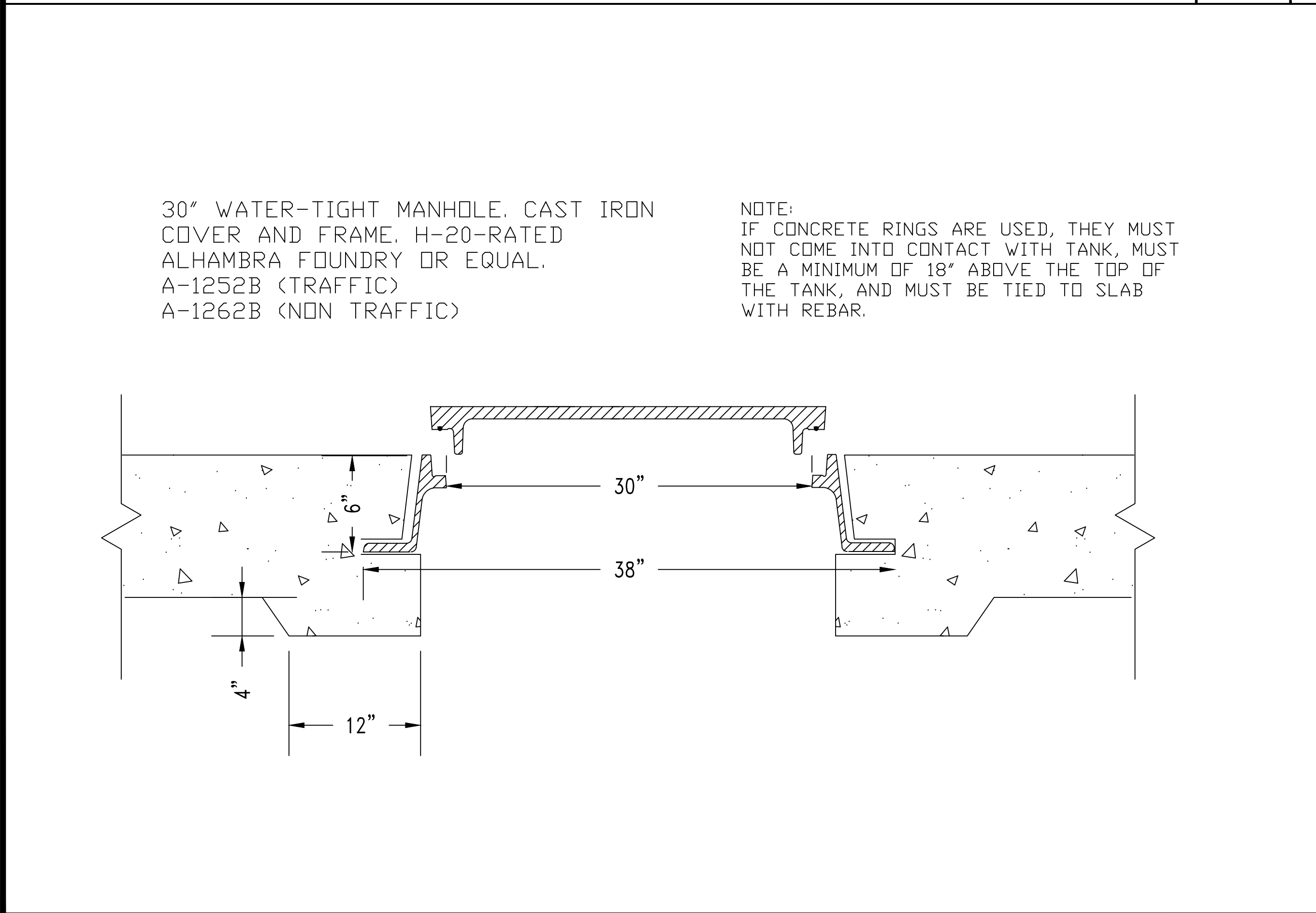
TANK INLET VIEW

SCALE 1:16 1



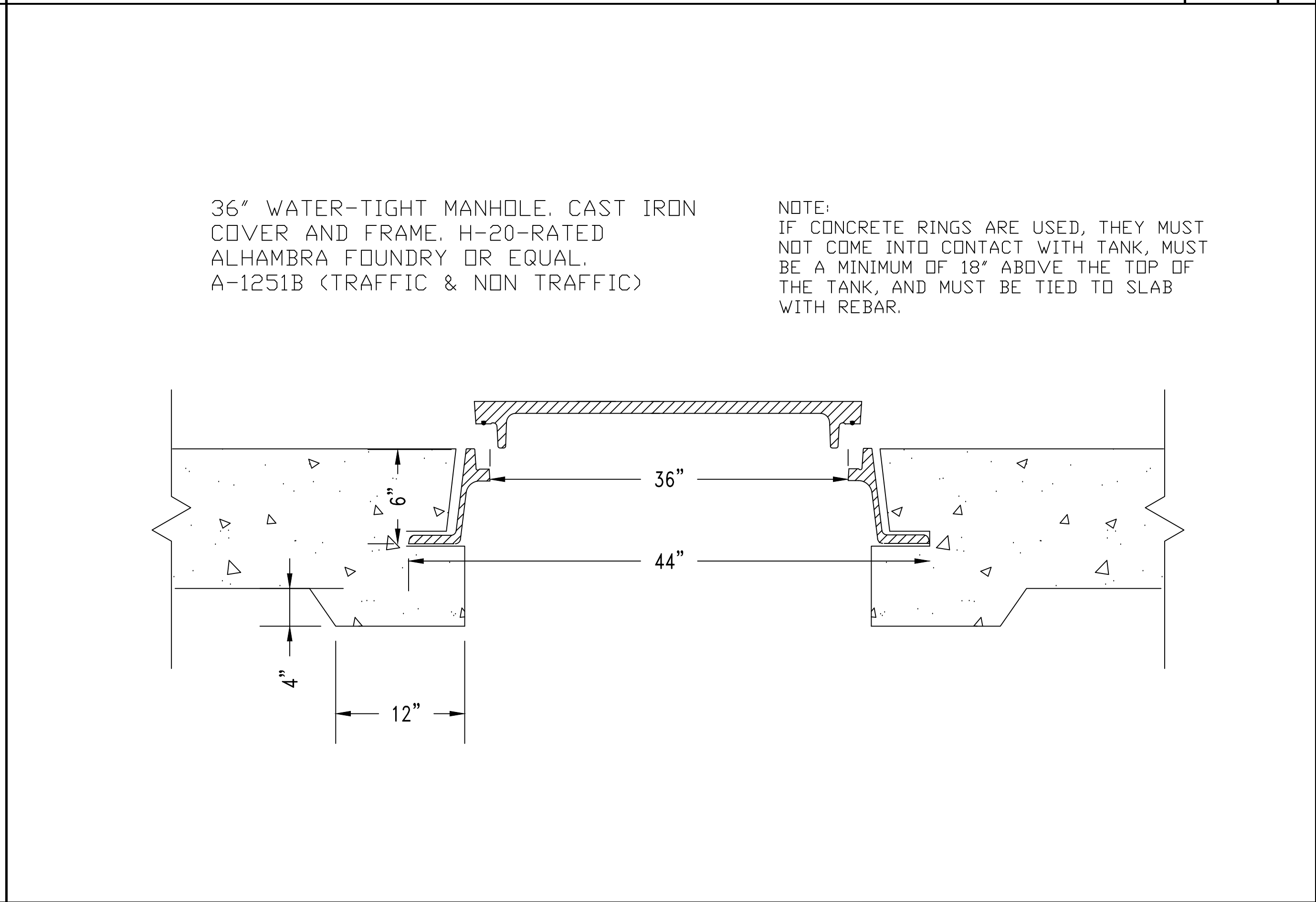
TANK OUTLET VIEW

SCALE 1:16 2



MANHOLE DETAIL FOR 24" RISER

SCALE NONE 3



MANHOLE DETAIL FOR 30" RISER

SCALE NONE 4

DRAWN:	DATE:	JOB NUMBER:
AJM	2/10/21	ES4.5 INSTALLATION

REVISION:		
REVISION:	DATE:	DESCRIPTION:
1	09/15/2023 MJS	ADDRESS CHANGE OUTLET HEIGHT

SITE INFORMATION:

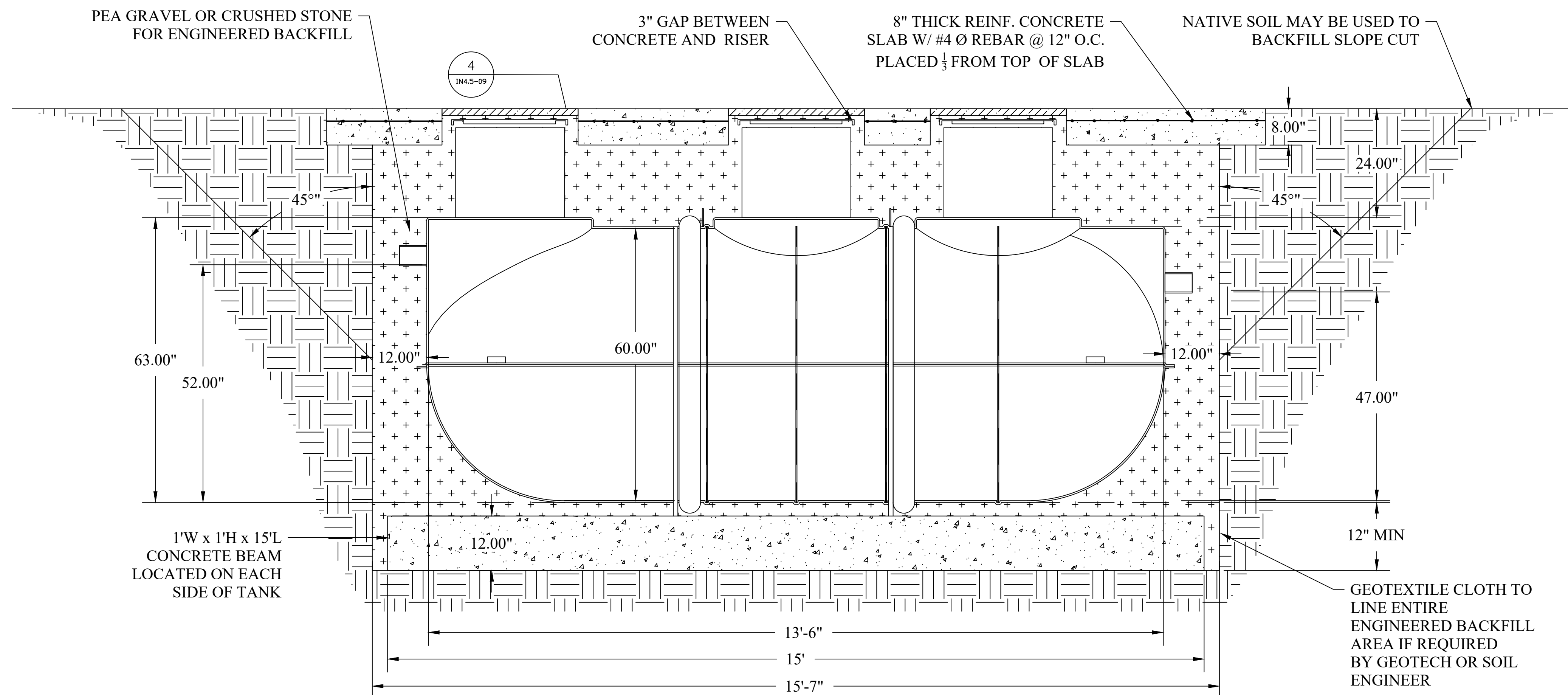
ES 4.5
 INSTALLATION DRAWING

SHEET TITLE:

H2O TRAFFIC SLAB
 INSTALLATION

SHEET NUMBER:

IN4.5-07



NOTES

- GENERAL:
- THE MIDDLE THREE CHAMBERS SHOULD NEVER BE PUMPED DRY, ESPECIALLY IN HIGH GROUNDWATER CONDITIONS
 - RISERS AND RISER ADAPTERS NOT SUPPLIED BY MICROSEPTEC
 - PLUMBING DIMENSIONS FROM OUTSIDE EDGE OF TANK TO INVERT OF INLET AND OUTLET
 - CONTRACTOR TO PROVIDE ADDITIONAL PLUMBING FOR ANY BURIAL DEPTH GREATER THAN 4FT
 - SITE-SPECIFIC CHARACTERISTICS INCLUDING BUT NOT LIMITED TO: BURIAL DEPTH, TRAFFIC OR OTHER EXTERNAL LOADING, SEASONAL GROUNDWATER, AND SOIL CHARACTERISTICS SHOULD BE CONFIRMED WITH A LOCAL DESIGN ENGINEER BEFORE INSTALLATION

TANK BURIAL:

- THE DESIGNED TANK BURIAL DEPTH IS 2FT TO 6FT. ANY TANK BURIED BEYOND THAT RANGE MUST BE ANALYZED BY A LOCAL DESIGN ENGINEER
- ENGINEERED BACKFILL TO BE A MINIMUM OF 12" COVER TO BE A MINIMUM OF 2FT.
- ENGINEERED BACKFILL TO BE A MINIMUM OF 12" ALONG SIDES AND BOTTOM OF TANK
- GEOLOGIST OR GEOTECHNICAL ENG. TO DETERMINE IF ANCHORS AND TEXTILE FILTER ARE REQUIRED
- DEPTH OF SOIL SLOPE CUT PER LOCAL CODE OR SOIL REPORT
- VERTICAL CUT FOR FILL HEIGHT CAN BE DONE IF APPROVED BY LOCAL CODE OR SOIL ENGINEER
- GEOLOGIST OR SHOULD DETERMINE IF CORROSIVE RESISTANT MATERIAL SHOULD BE USED IN ANY STEEL PARTS EXPOSED IN THE SOIL. SEE SHEET IN06-01

ANCHORING:

- ANCHORING AND ANTI-FLOATATION DESIGNS ARE NOT A ONE-SIZE-FITS-ALL DESIGN AND CONSIDER THE FOLLOWING CONDITIONS:
 - AT LEAST 2FT OF COVER
 - GROUNDWATER AT GRADE
 - MIDDLE THREE TANK CHAMBERS ARE 1/2 FULL OF WATER
- TO DETERMINE THE EQUIVALENT FLUID WEIGHT OF EARTH OVER TOP OF THE TANK AND COUNTERWEIGHT, A GEOTECHNICAL ENGINEER OR OTHER PROFESSIONAL SHOULD BE CONSULTED
- CONTROL JOINTS FOR ANCHORS ARE DETERMINED BY GENERAL CONTRACTOR

TANK INSTALLATION LAYOUT (ELEVATION VIEW)

SCALE 1:16 1

DRAWN:	DATE:	JOB NUMBER:
AJM	2/10/21	ES4.5 INSTALLATION

REVISION:		
REVISION:	DATE:	DESCRIPTION:
1	09/15/2023 MS	ADDRESS CHANGE OUTLET HEIGHT

SITE INFORMATION:

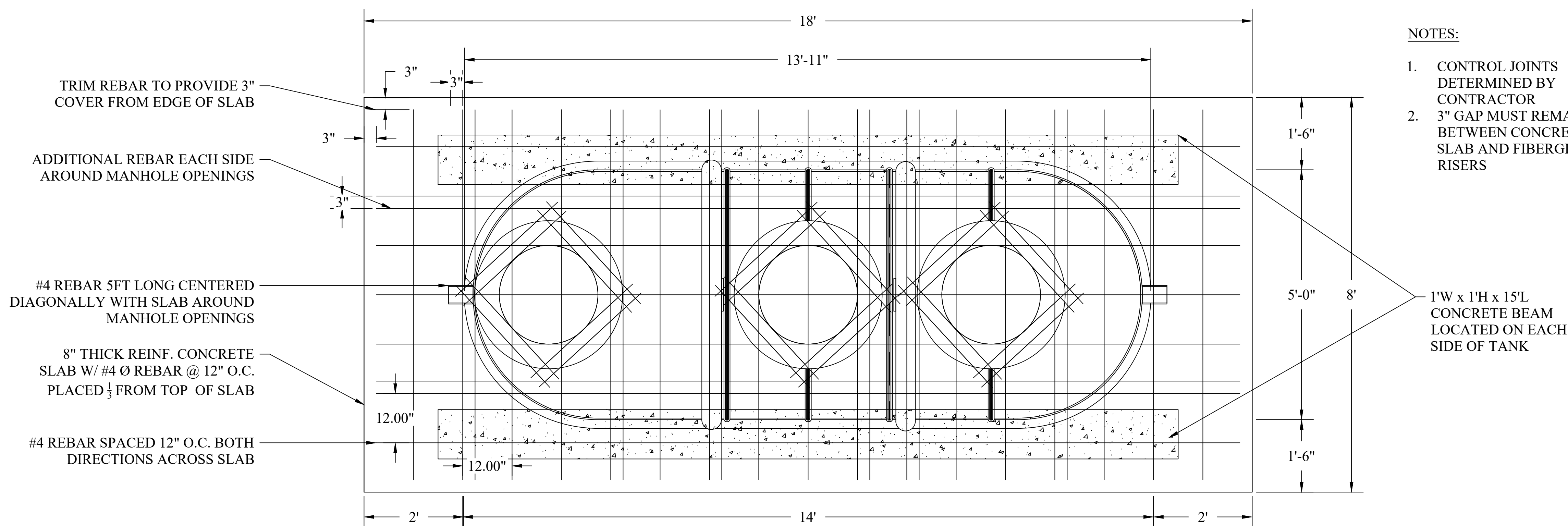
ES 4.5
 INSTALLATION DRAWING

SHEET TITLE:

H2O TRAFFIC SLAB WITH
 ANTI-FLOATATION ANCHORS

SHEET NUMBER:

IN4.5-08



TANK INSTALLATION LAYOUT (PLAN VIEW)

SCALE 1:16 2

NOTES

- GENERAL:
- THE MIDDLE THREE CHAMBERS SHOULD NEVER BE PUMPED DRY, ESPECIALLY IN HIGH GROUNDWATER CONDITIONS
 - RISERS AND RISER ADAPTERS NOT SUPPLIED BY MICROSEPTEC
 - PLUMBING DIMENSIONS FROM OUTSIDE EDGE OF TANK TO INVERT OF INLET AND OUTLET
 - CONTRACTOR TO PROVIDE ADDITIONAL PLUMBING FOR ANY BURIAL DEPTH GREATER THAN 4FT
 - SITE-SPECIFIC CHARACTERISTICS INCLUDING BUT NOT LIMITED TO: BURIAL DEPTH, TRAFFIC OR OTHER EXTERNAL LOADING, SEASONAL GROUNDWATER, AND SOIL CHARACTERISTICS SHOULD BE CONFIRMED WITH A LOCAL DESIGN ENGINEER BEFORE INSTALLATION

- TANK BURIAL:
- THE DESIGNED TANK BURIAL DEPTH IS 2FT TO 6FT. ANY TANK BURIED BEYOND THAT RANGE MUST BE ANALYZED BY A LOCAL DESIGN ENGINEER
 - COVER TO BE A MINIMUM OF 2FT.
 - ENGINEERED BACKFILL TO BE A MINIMUM OF 12" ALONG SIDES AND BOTTOM OF TANK
 - GEOLOGIST OR GEOTECHNICAL ENG. TO DETERMINE IF ANCHORS AND TEXTILE FILTER ARE REQUIRED.
 - DEPTH OF SOIL SLOPE CUT PER LOCAL CODE OR SOIL REPORT
 - VERTICAL CUT FOR FILL HEIGHT CAN BE DONE IF APPROVED BY LOCAL CODE OR SOIL ENGINEER
 - GEOLOGIST OR SHOULD DETERMINE IF CORROSIVE RESISTANT MATERIAL SHOULD BE USED IN ANY STEEL PARTS EXPOSED IN THE SOIL. SEE SHEET IN06-01

- ANCHORING:
- ANCHORING AND ANTI-FLOATATION DESIGNS ARE NOT A ONE-SIZE-FITS-ALL DESIGN AND CONSIDER THE FOLLOWING CONDITIONS:
 - AT LEAST 2FT OF COVER
 - GROUNDWATER AT GRADE
 - MIDDLE THREE TANK CHAMBERS ARE 2/3 FULL OF WATER
 - TO DETERMINE THE EQUIVALENT FLUID WEIGHT OF EARTH OVER TOP OF THE TANK AND COUNTERWEIGHT, A GEOTECHNICAL ENGINEER OR OTHER PROFESSIONAL SHOULD BE CONSULTED
 - CONTROL JOINTS FOR ANCHORS ARE DETERMINED BY GENERAL CONTRACTOR

DRAWN:	DATE:	JOB NUMBER:
AJM	2/10/21	ES4.5 INSTALLATION

REVISION:		
REVISION:	DATE:	DESCRIPTION:
1	09/15/2023 MJS	ADDRESS CHANGE OUTLET HEIGHT

SITE INFORMATION:

ES 4.5
 INSTALLATION DRAWING

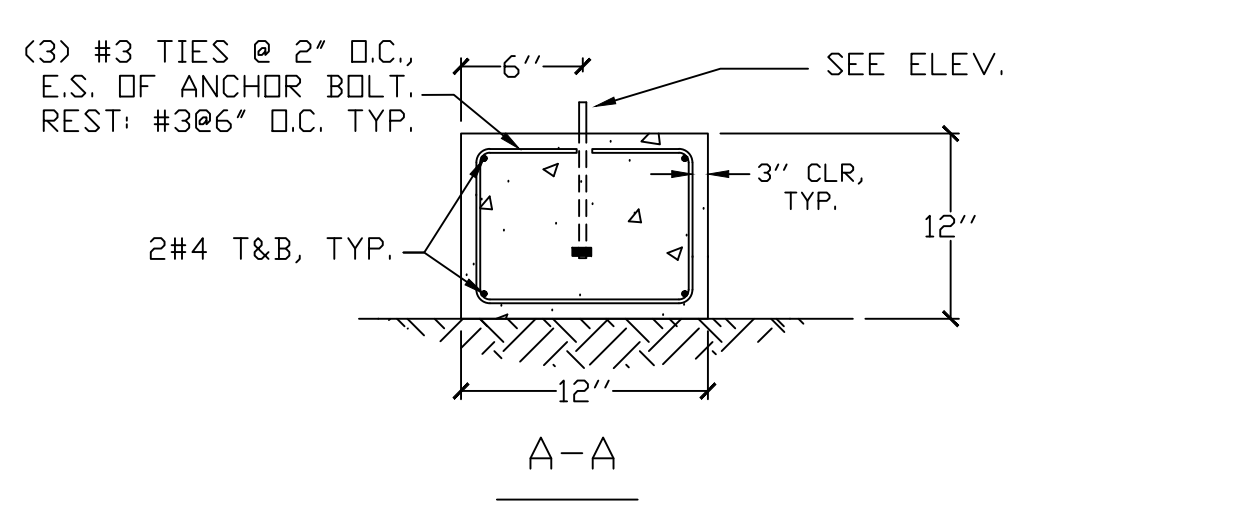
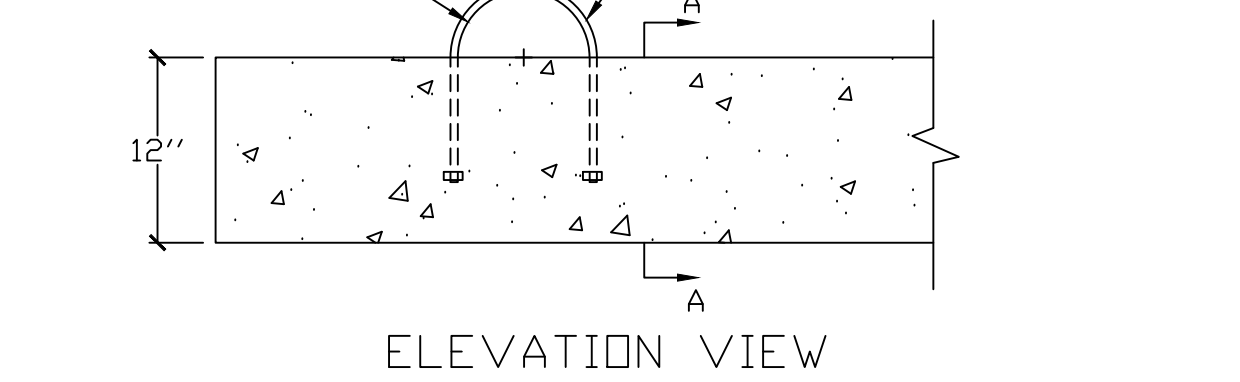
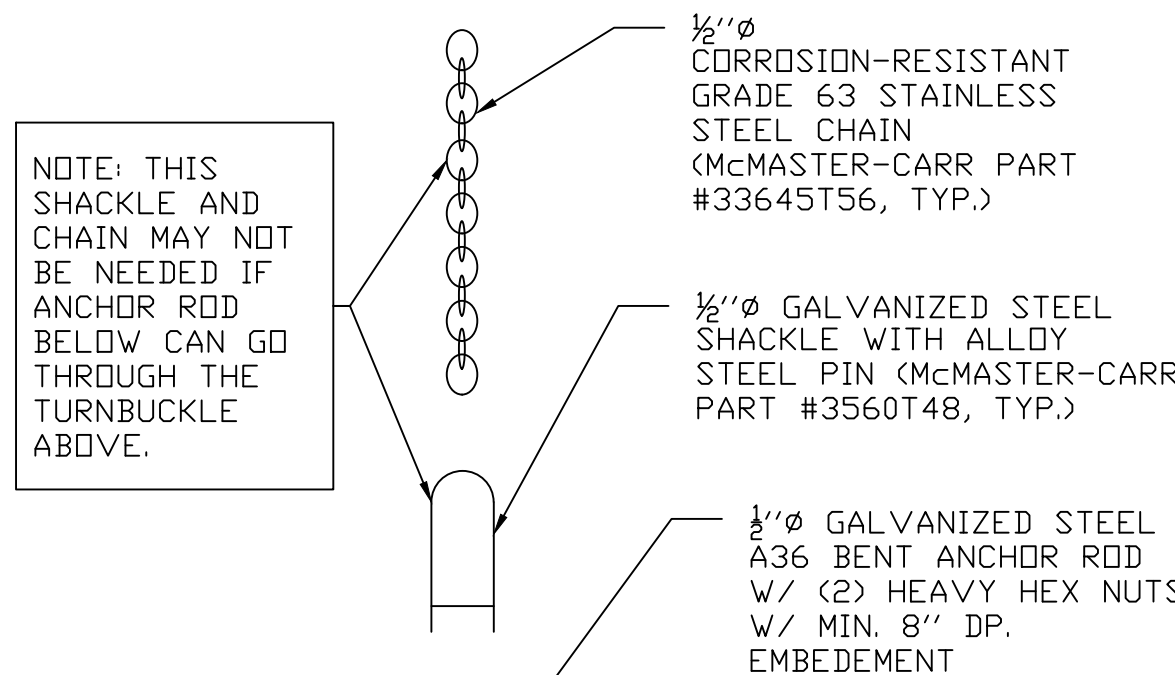
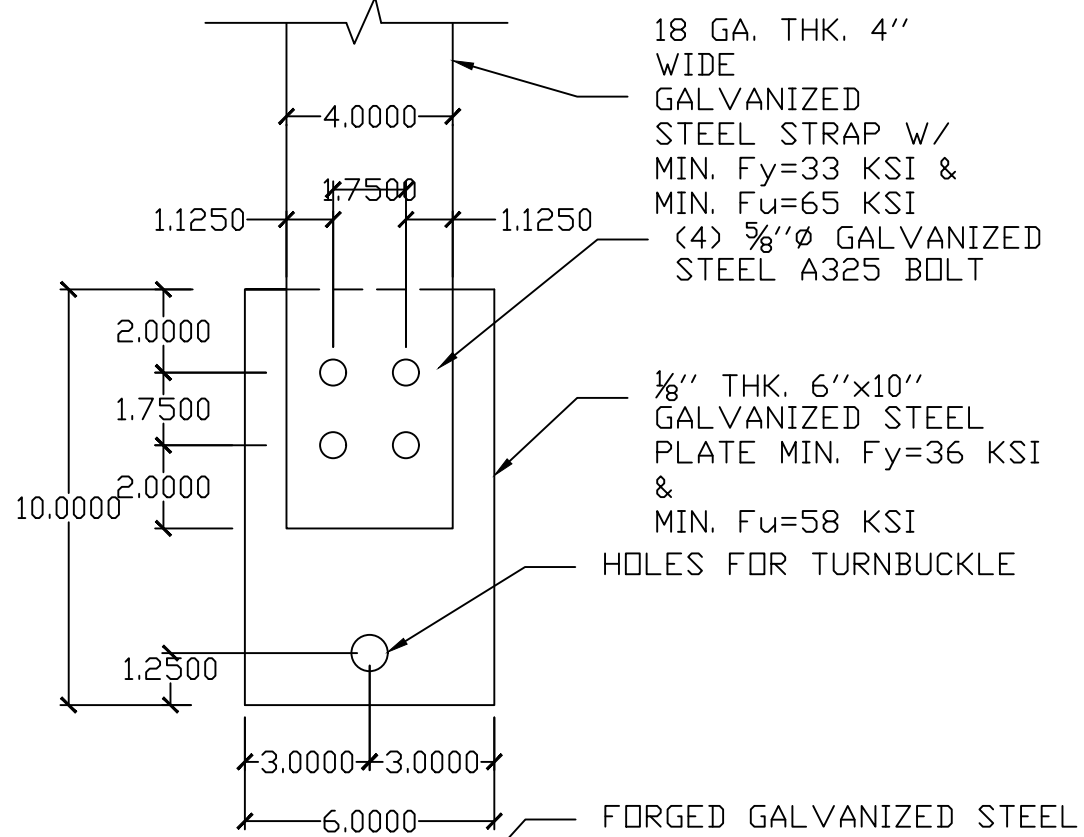
SHEET TITLE:

H20 TRAFFIC SLAB WITH
 ANTI-FLOATATION ANCHORS

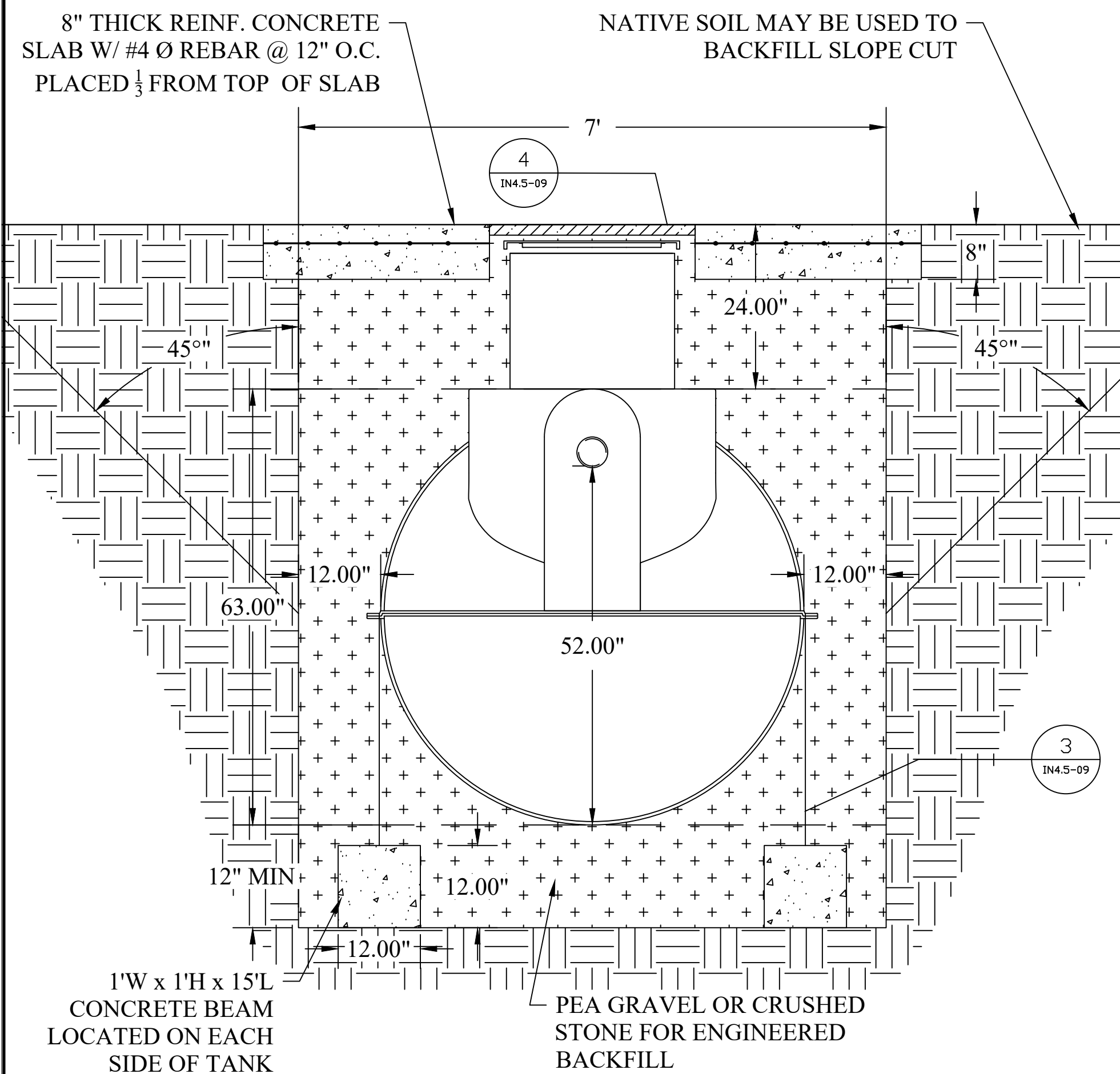
SHEET NUMBER:

IN4.5-09

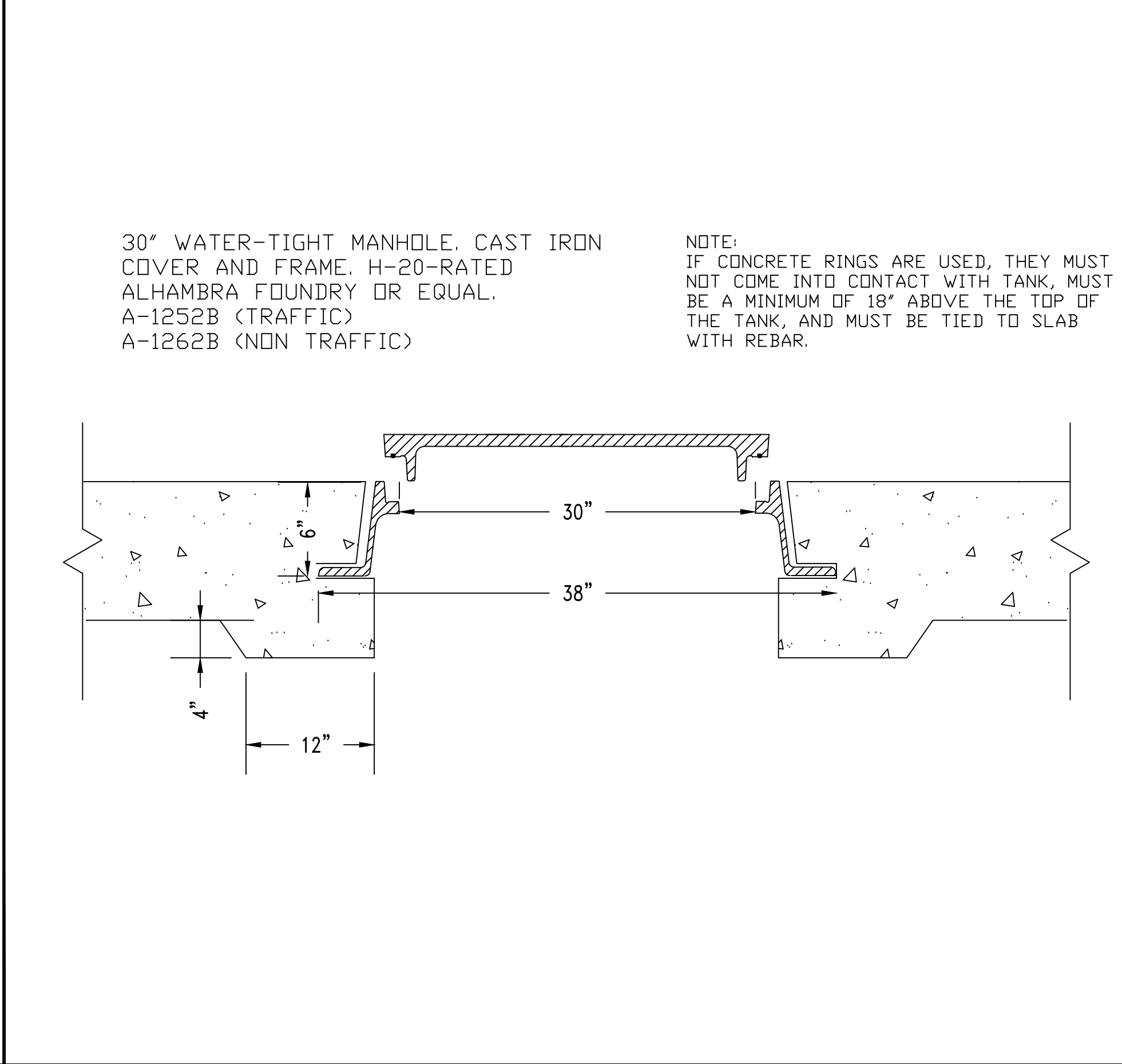
TIE DOWN AND ANCHOR BEAM ARE DESIGNED BASED ON THE MIDDLE THREE COMPARTMENTS OF THE TANK BEING 2/3 FULL OF WATER WITH GROUNDWATER AT GRADE



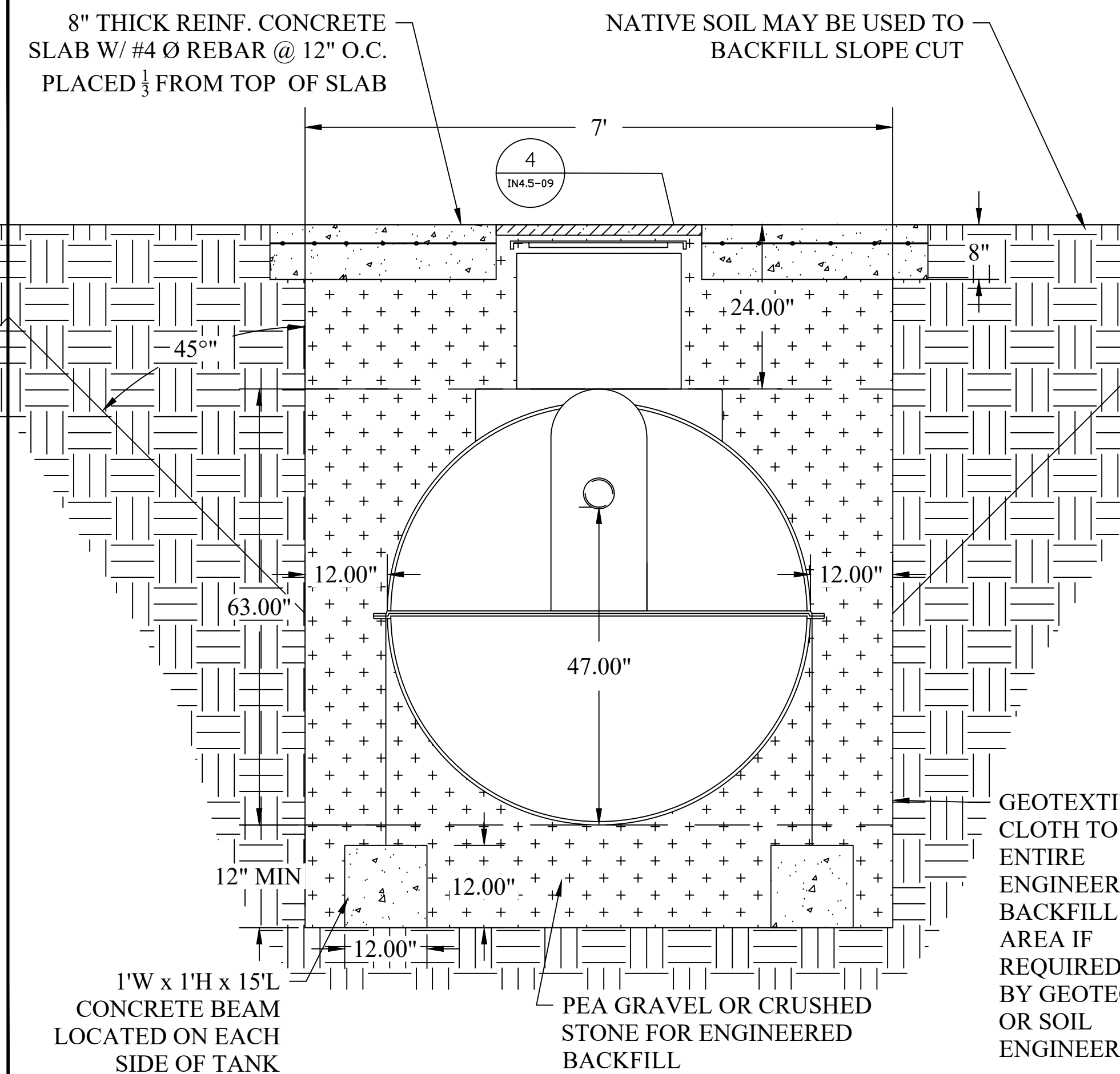
NOTE: ABOVE HARDWARE IS NOT INTENDED TO USE IN CORROSIVE SOIL. GEOLOGIST OR GEOGRAPHICAL ENGINEER SHOULD DETERMINE IF CORROSIVE RESISTANT MATERIAL (SUCH AS STAINLESS STEEL, OR SPECIAL COATING) SHOULD BE USED IN ANY STEEL PARTS EXPOSED IN THE SOIL. SEE SHEET IN06-01.



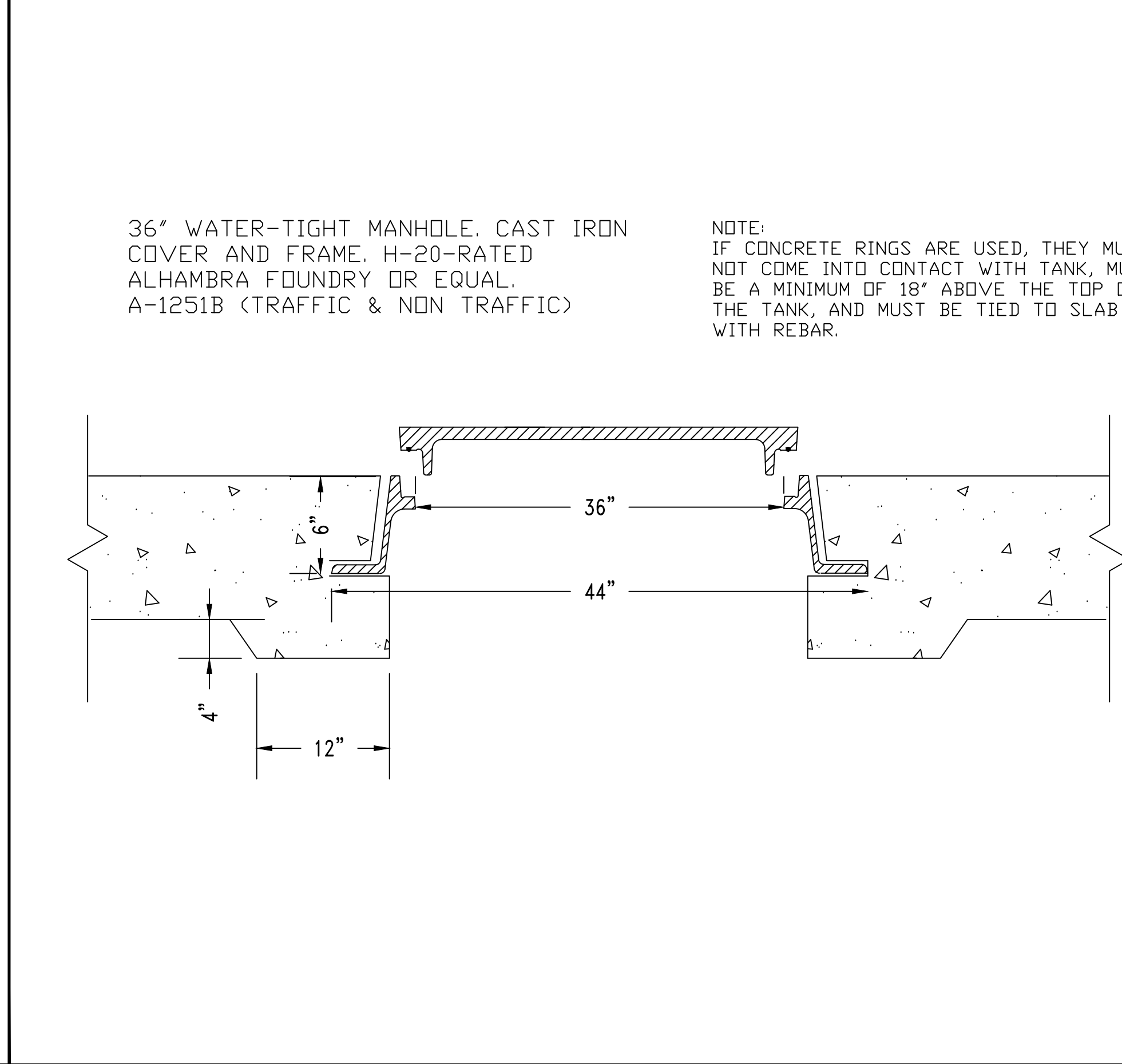
TANK INLET VIEW SCALE 1:16 1



MANHOLE DETAIL FOR 24" RISER SCALE NONE 3



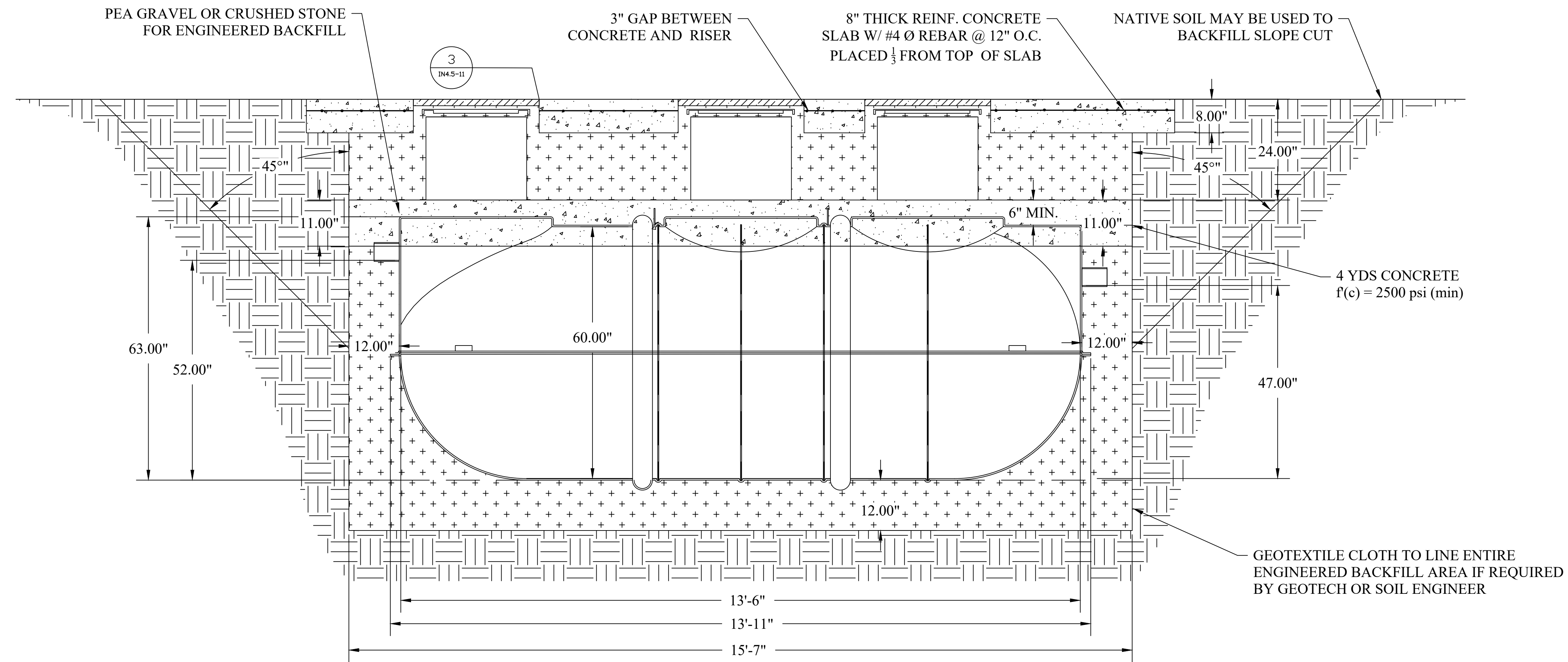
TANK OUTLET VIEW SCALE 1:16 2



MANHOLE DETAIL FOR 30" RISER SCALE NONE 4

ANCHOR DETAIL SCALE NONE 3

SCALE NONE 5



NOTES

- GENERAL:
- THE MIDDLE THREE CHAMBERS SHOULD NEVER BE PUMPED DRY, ESPECIALLY IN HIGH GROUNDWATER CONDITIONS
 - RISERS AND RISER ADAPTERS NOT SUPPLIED BY MICROSEPTEC
 - PLUMBING DIMENSIONS FROM OUTSIDE EDGE OF TANK TO INVERT OF INLET AND OUTLET
 - CONTRACTOR TO PROVIDE ADDITIONAL PLUMBING FOR ANY BURIAL DEPTH GREATER THAN 4FT
 - SITE-SPECIFIC CHARACTERISTICS INCLUDING BUT NOT LIMITED TO: BURIAL DEPTH, TRAFFIC OR OTHER EXTERNAL LOADING, SEASONAL GROUNDWATER, AND SOIL CHARACTERISTICS SHOULD BE CONFIRMED WITH A LOCAL DESIGN ENGINEER BEFORE INSTALLATION
- TANK BURIAL:
- THE DESIGNED TANK BURIAL DEPTH IS 2FT TO 6FT. ANY TANK BURIED BEYOND THAT RANGE MUST BE ANALYZED BY A LOCAL DESIGN ENGINEER
 - COVER TO BE A MINIMUM OF 2FT
 - ENGINEERED BACKFILL TO BE A MINIMUM OF 12" ALONG SIDES AND BOTTOM OF TANK
 - GEOLOGIST OR GEOTECHNICAL ENG. TO DETERMINE IF ANCHORS AND TEXTILE FILTER ARE REQUIRED
 - DEPTH OF SOIL SLOPE CUT PER LOCAL CODE OR SOIL REPORT
 - VERTICAL CUT FOR FILL HEIGHT CAN BE DONE IF APPROVED BY LOCAL CODE OR SOIL ENGINEER
 - GEOLOGIST OR SHOULD DETERMINE IF CORROSIVE RESISTANT MATERIAL SHOULD BE USED IN ANY STEEL PARTS EXPOSED IN THE SOIL. SEE SHEET IN06-01
- ANCHORING:
- ANCHORING AND ANTI-FLOATATION DESIGNS ARE NOT A ONE-SIZE-FITS-ALL DESIGN AND CONSIDER THE FOLLOWING CONDITIONS:
 - AT LEAST 2FT OF COVER
 - GROUNDWATER AT GRADE
 - MIDDLE THREE TANK CHAMBERS ARE 1/2 FULL OF WATER
 - TO DETERMINE THE EQUIVALENT FLUID WEIGHT OF EARTH OVER TOP OF THE TANK AND COUNTERWEIGHT, A GEOTECHNICAL ENGINEER OR OTHER PROFESSIONAL SHOULD BE CONSULTED
 - CONTROL JOINTS FOR ANCHORS ARE DETERMINED BY GENERAL CONTRACTOR

TANK INSTALLATION LAYOUT (ELEVATION VIEW)

SCALE 1:16 1

DRAWN:	DATE:	JOB NUMBER:
AJM	2/10/21	ES4.5 INSTALLATION

REVISION:		
REVISION:	DATE:	DESCRIPTION:
1	09/15/2023 MS	ADDRESS CHANGE OUTLET HEIGHT

SITE INFORMATION:

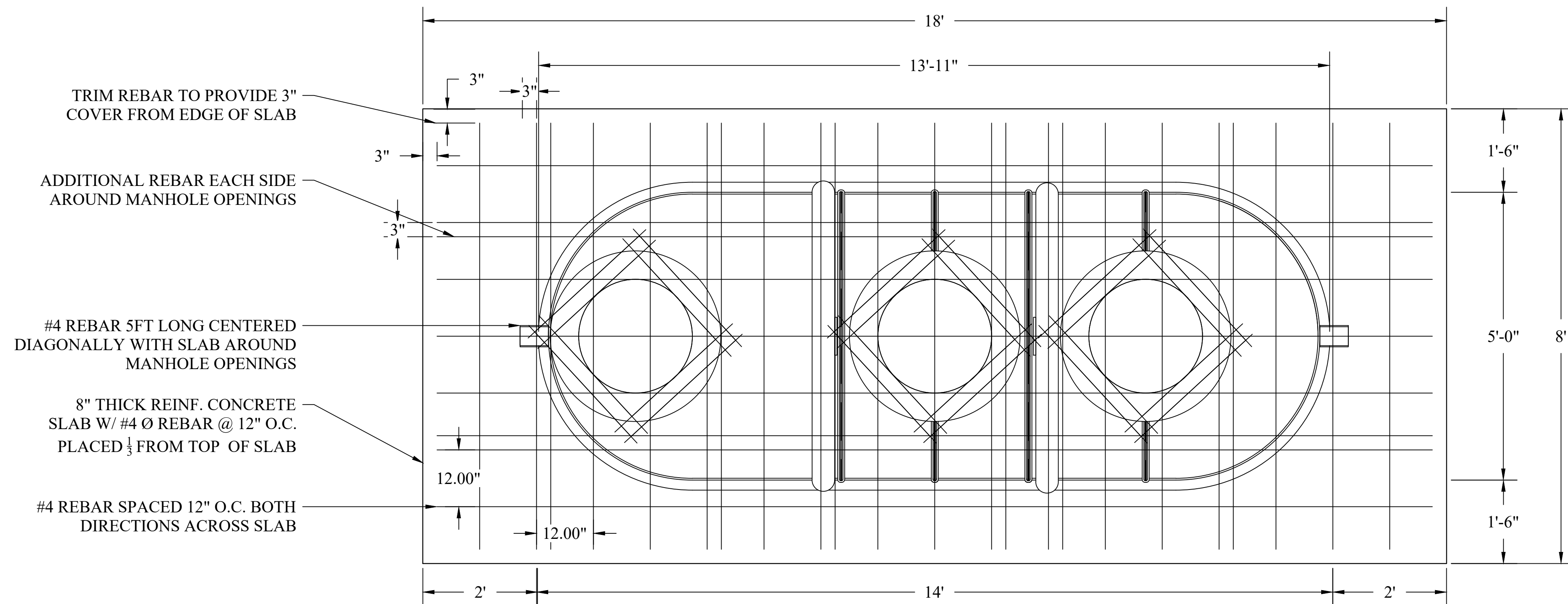
ES 4.5
 INSTALLATION DRAWING

SHEET TITLE:

H20 TRAFFIC SLAB WITH
 ANTI-FLOATATION COLLAR

SHEET NUMBER:

IN4.5-10

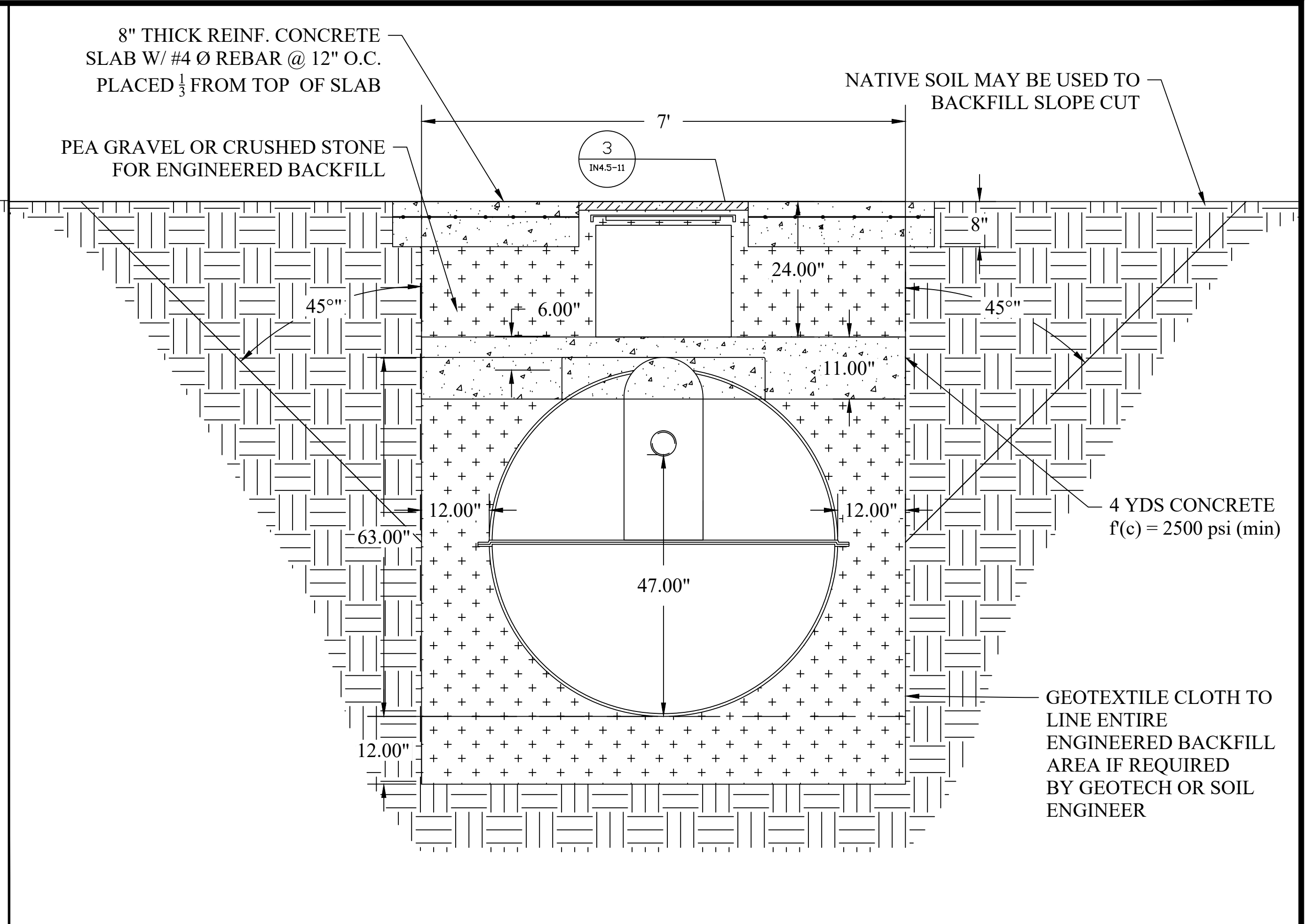
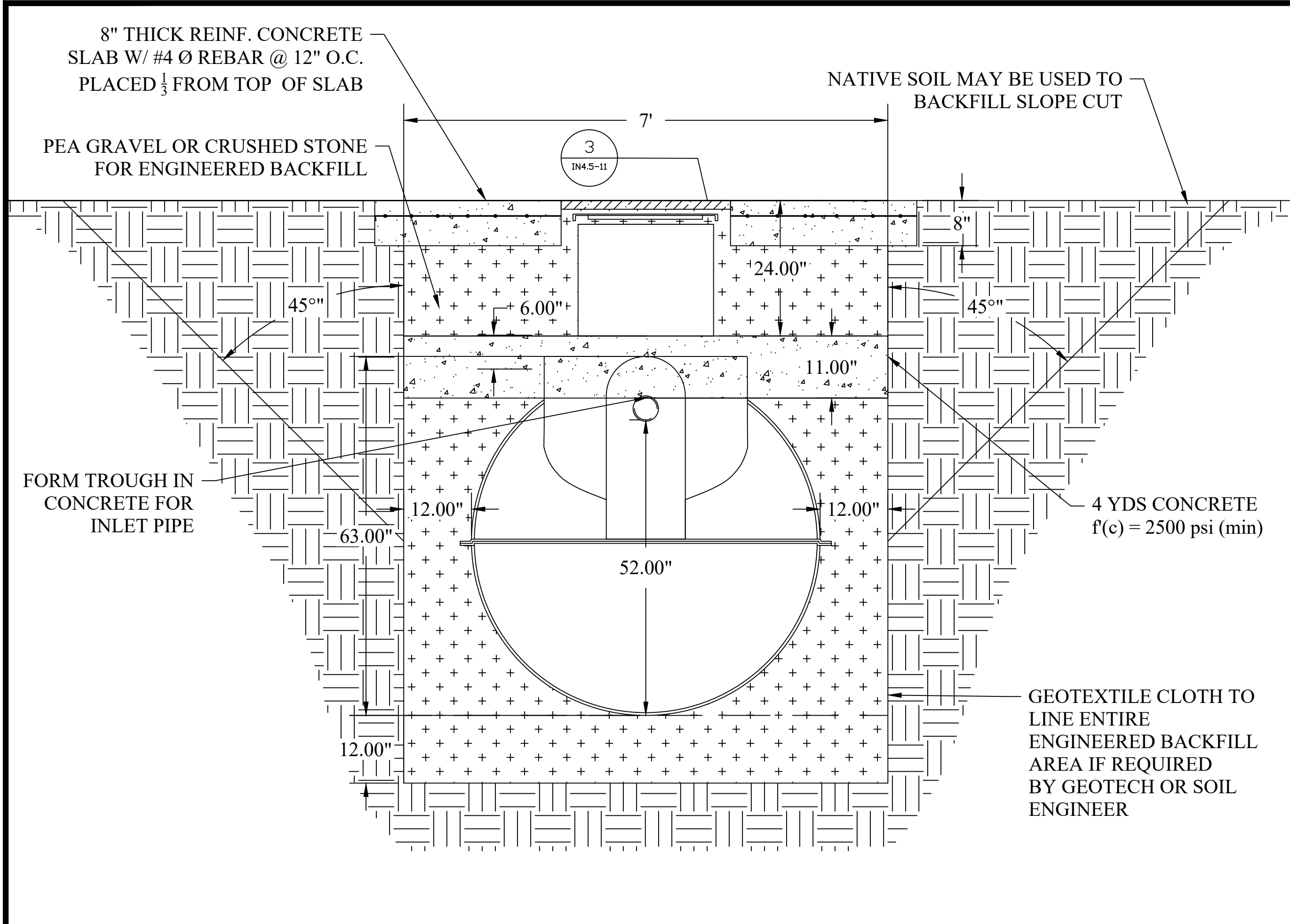


NOTES:

- CONTROL JOINTS DETERMINED BY CONTRACTOR
- 3" GAP MUST REMAIN BETWEEN CONCRETE SLAB AND FIBERGLASS RISERS

TANK INSTALLATION LAYOUT (PLAN VIEW)

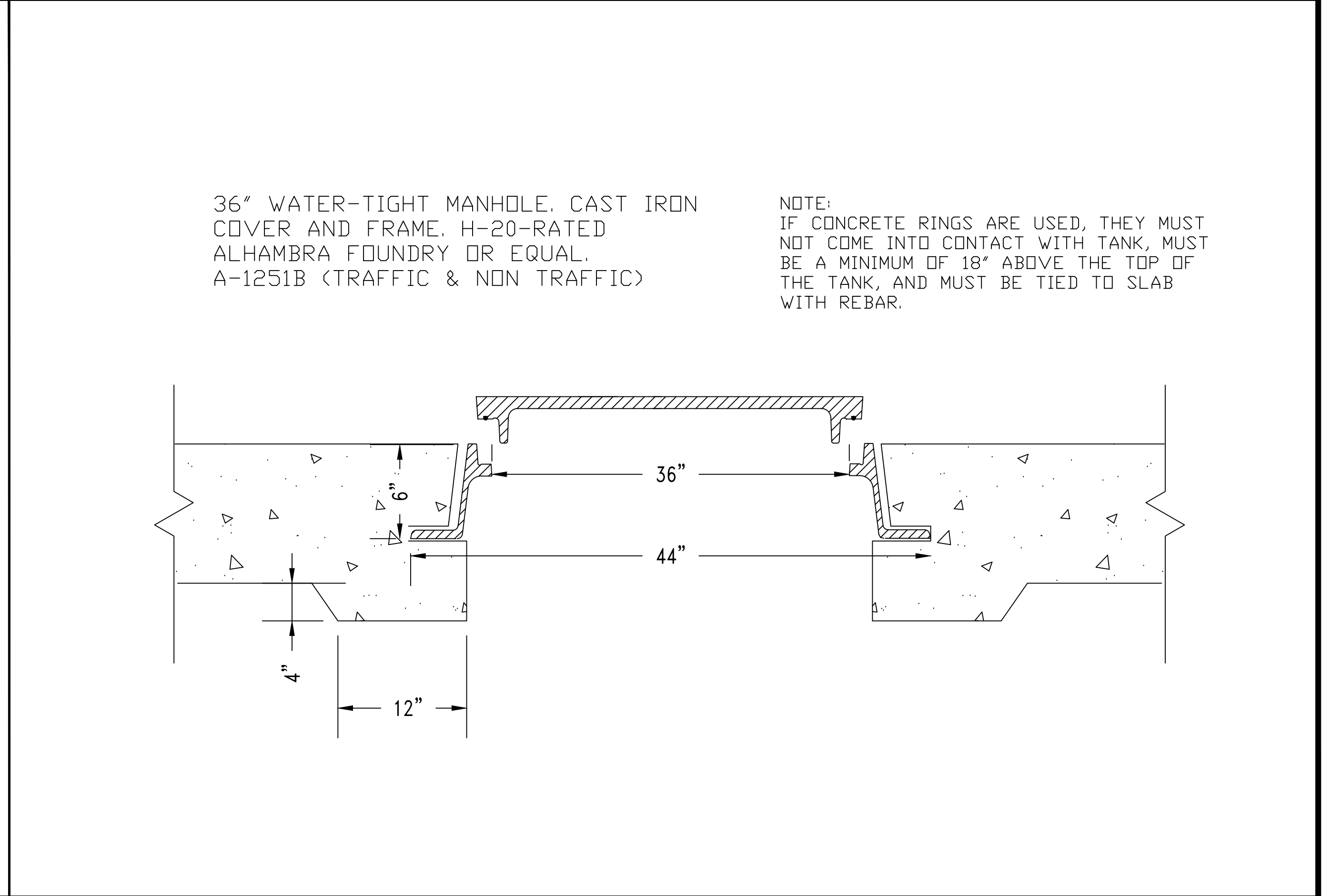
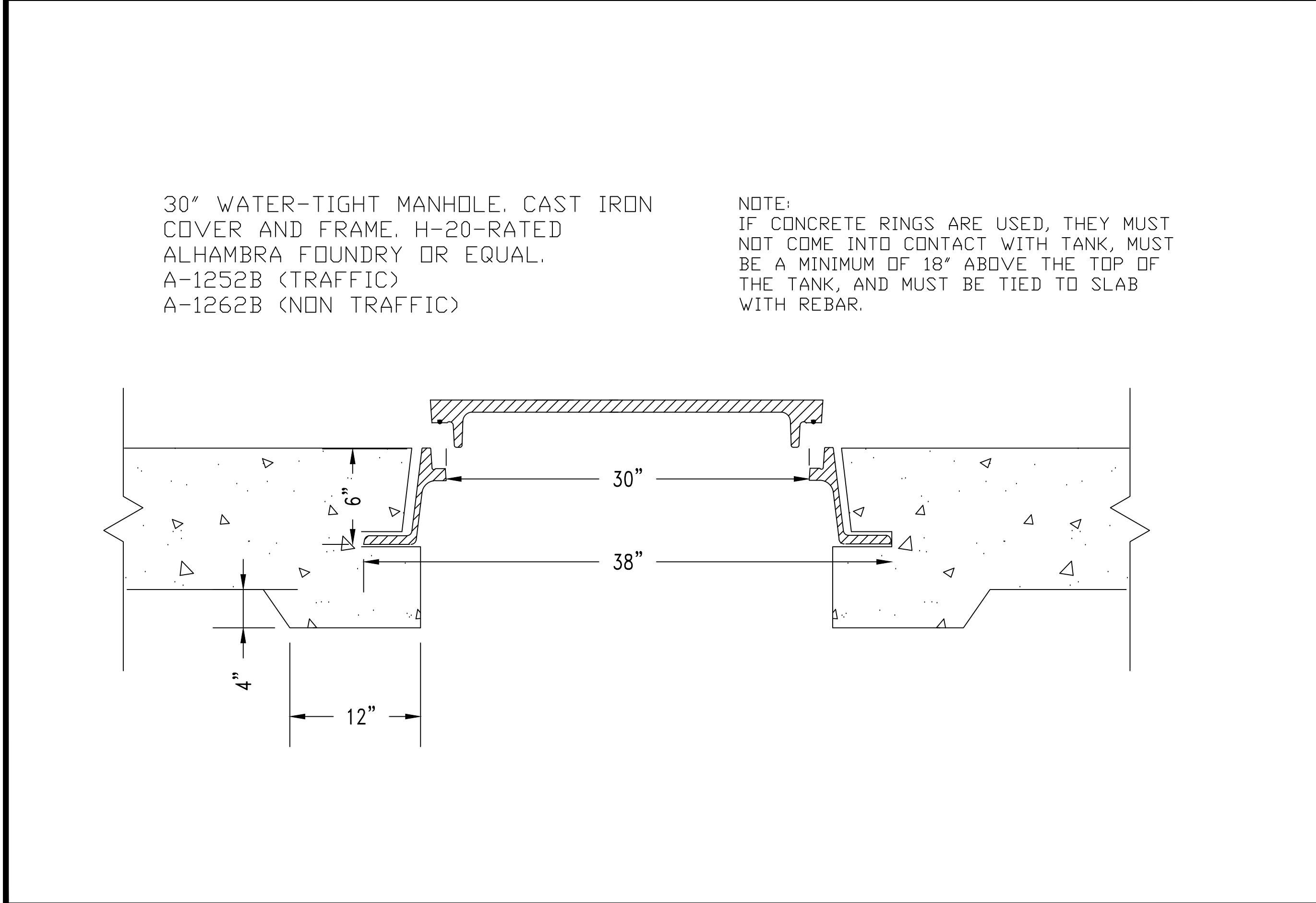
SCALE 1:16 2



- NOTES**
- GENERAL:**
1. THE MIDDLE THREE CHAMBERS SHOULD NEVER BE PUMPED DRY, ESPECIALLY IN HIGH GROUNDWATER CONDITIONS
 2. RISERS AND RISER ADAPTERS NOT SUPPLIED BY MICROSEPTEC
 3. PLUMBING DIMENSIONS FROM OUTSIDE EDGE OF TANK TO INVERT OF INLET AND OUTLET
 4. CONTRACTOR TO PROVIDE ADDITIONAL PLUMBING FOR ANY BURIAL DEPTH GREATER THAN 4FT
 5. SITE-SPECIFIC CHARACTERISTICS INCLUDING BUT NOT LIMITED TO: BURIAL DEPTH, TRAFFIC OR OTHER EXTERNAL LOADING, SEASONAL GROUNDWATER, AND SOIL CHARACTERISTICS SHOULD BE CONFIRMED WITH A LOCAL DESIGN ENGINEER BEFORE INSTALLATION
- TANK BURIAL:**
6. THE DESIGNED TANK BURIAL DEPTH IS 2FT TO 6FT. ANY TANK BURIED BEYOND THAT RANGE MUST BE ANALYZED BY A LOCAL DESIGN ENGINEER
 7. COVER TO BE A MINIMUM OF 2FT.
 8. ENGINEERED BACKFILL TO BE A MINIMUM OF 12" ALONG SIDES AND BOTTOM OF TANK
 9. GEOLOGIST OR GEOTECHNICAL ENG. TO DETERMINE IF ANCHORS AND TEXTILE FILTER ARE REQUIRED.
 10. DEPTH OF SOIL SLOPE CUT PER LOCAL CODE OR SOIL REPORT
 11. VERTICAL CUT FOR FILL HEIGHT CAN BE DONE IF APPROVED BY LOCAL CODE OR SOIL ENGINEER
 12. GEOLOGIST OR SHOULD DETERMINE IF CORROSIVE RESISTANT MATERIAL SHOULD BE USED IN ANY STEEL PARTS EXPOSED IN THE SOIL. SEE SHEET IN06-01
- ANCHORING:**
13. ANCHORING AND ANTI-FLOATATION DESIGNS ARE NOT A ONE-SIZE-FITS-ALL DESIGN AND CONSIDER THE FOLLOWING CONDITIONS:
 - 13.1. AT LEAST 2FT OF COVER
 - 13.2. GROUNDWATER AT GRADE
 - 13.3. MIDDLE THREE TANK CHAMBERS ARE 1/2 FULL OF WATER
 14. TO DETERMINE THE EQUIVALENT FLUID WEIGHT OF EARTH OVER TOP OF THE TANK AND COUNTERWEIGHT, A GEOTECHNICAL ENGINEER OR OTHER PROFESSIONAL SHOULD BE CONSULTED
 15. CONTROL JOINTS FOR ANCHORS ARE DETERMINED BY GENERAL CONTRACTOR

TANK INLET VIEW SCALE 1:16 1

TANK OUTLET VIEW SCALE 1:16 2



MANHOLE DETAIL FOR 24" RISER SCALE NONE 3

MANHOLE DETAIL FOR 30" RISER SCALE NONE 4

DRAWN:	DATE:	JOB NUMBER:
AJM	2/10/21	ES4.5 INSTALLATION

REVISION:		
REVISION:	DATE:	DESCRIPTION:
1	09/15/2023 MJS	ADDRESS CHANGE OUTLET HEIGHT

SITE INFORMATION:

ES 4.5
 INSTALLATION DRAWING

SHEET TITLE:

H20 TRAFFIC SLAB WITH
 ANTI-FLOATATION COLLAR

SHEET NUMBER:

IN4.5-11