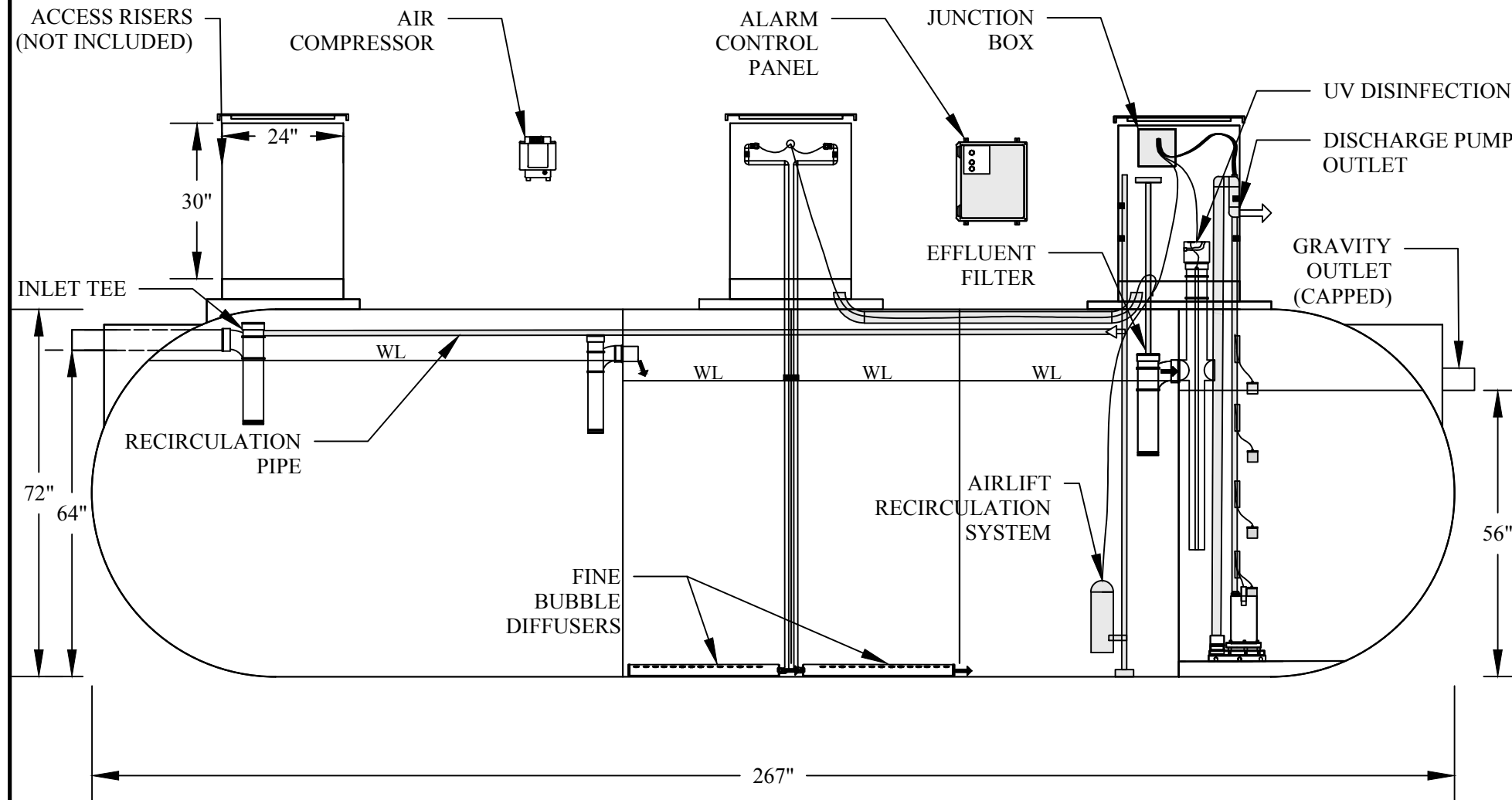



ENVIROSERVER - ES SERIES ES12-PUMP/SOL/UV

DESCRIPTION:

PRIMARY AND SECONDARY WASTEWATER TREATMENT DEVICE USING BOTH FIXED FILM AND SUSPENDED GROWTH WITH MULTI-STAGE AEROBIC PROCESS. TANK CAPACITIES LISTED ARE FOR STANDARD UNITS



DESIGN TREATMENT CAPACITY (gpd)	1200
TOTAL TANK CAPACITY (gal)	4000
OVERALL LENGTH	22' - 3"
DIAMETER (in.)	72
INLET HEIGHT (in.)	64
OUTLET HEIGHT (in.)	56
BIOMEDIA VOLUME (cu.ft.)	3' ROUND HDPE
AIR DIFFUSER	FINE BUBBLE
AIR COMPRESSOR	LINEAR AIR
RECIRCULATION CONTROL	SOLENOID
ALARM CONTROL PANEL	PROPRIETARY
REMOTE TELEMETRY	OPTIONAL
DISCHARGE PUMP	OPTIONAL
DISINFECTION	OPTIONAL

MODEL: ES12 ENVIROSERVER ADVANCED WASTEWATER TREATMENT SYSTEM		PROJECT: PRODUCT DRAWING		 10 W AIRPARK VISTA BLVD DAYTON, NV 89403 1(877)4SEPTIC [1-877-473-7842] www.microseptec.com	
SCALE: NONE	DRAWN BY: XXX	ORG. DWG DATE: 12/30/2019	REV. DWG DATE: 09/15/2023	SHEET SIZE: 11" x 17"	SHEET NUMBER: ES12