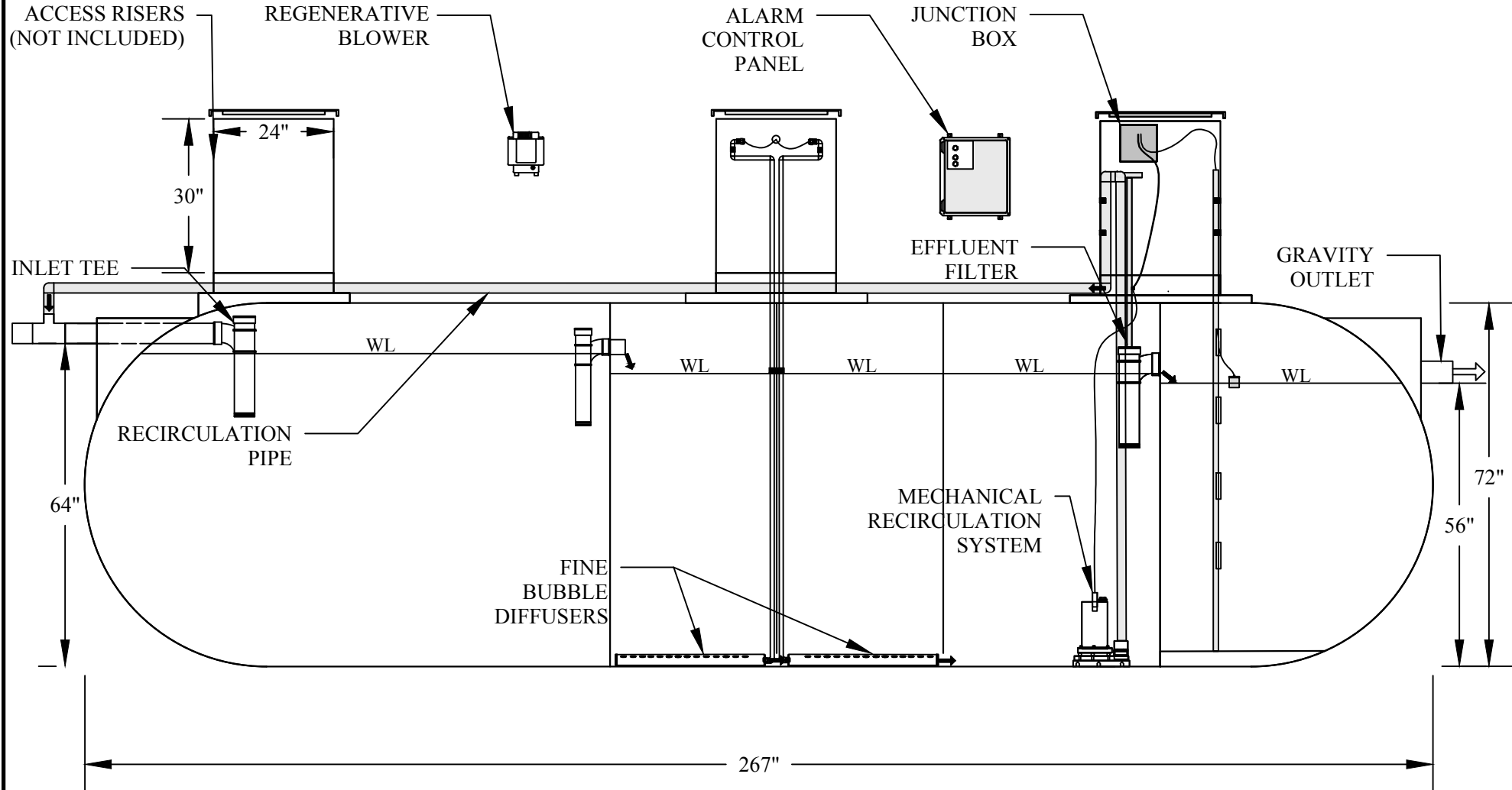



# ENVIROSERVER - CS SERIES CS950C

DESCRIPTION:

PRIMARY AND SECONDARY WASTEWATER TREATMENT DEVICE USING BOTH FIXED FILM AND SUSPENDED GROWTH WITH MULTI-STAGE AEROBIC PROCESS. TANK CAPACITIES LISTED ARE FOR STANDARD UNITS



DESIGN TREATMENT CAPACITY (gpd)	950
TOTAL TANK CAPACITY (gal)	4000
OVERALL LENGTH	22' - 3"
DIAMETER (in.)	72
INLET HEIGHT (in.)	64
OUTLET HEIGHT (in.)	56
MAX BOD LOADING (mg/L)	600-800
MAX TSS LOADING (mg/L)	500-700
MAX TN LOADING (mg/L)	75
MAX FOG LOADING (mg/L)	70
RECIRCULATION CONTROL	MECHANICAL
ALARM CONTROL PANEL	PROPRIETARY
REMOTE TELEMETRY	OPTIONAL

MODEL: CS950C ENVIROSERVER ADVANCED WASTEWATER TREATMENT SYSTEM		PROJECT: PRODUCT DRAWING		 10 W Airpark Vista BLVD Dayton, NV 89403 1(877)4SEPTIC [1-877-473-7842] www.microseptec.com	
SCALE: NONE	DRAWN BY: MJS	ORG. DWG DATE: 12/30/2019	REV. DWG DATE: 09/15/2023	SHEET SIZE: 11" x 17"	SHEET NUMBER: CS950C