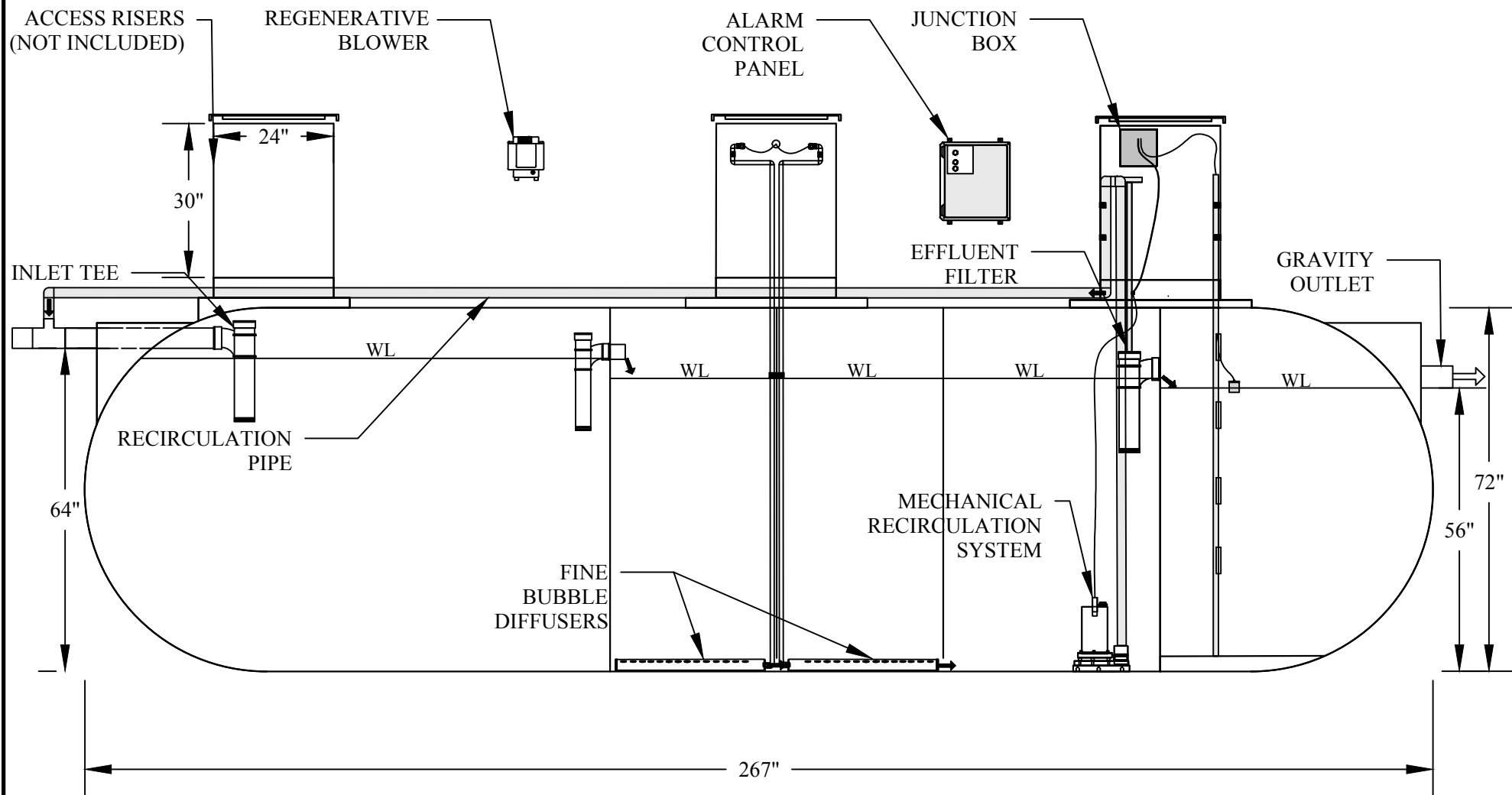



# ENVIROSERVER - CS SERIES CS1050LC

DESCRIPTION:

PRIMARY AND SECONDARY WASTEWATER TREATMENT DEVICE USING BOTH FIXED FILM AND SUSPENDED GROWTH WITH MULTI-STAGE AEROBIC PROCESS. TANK CAPACITIES LISTED ARE FOR STANDARD UNITS



|                                 |             |
|---------------------------------|-------------|
| DESIGN TREATMENT CAPACITY (gpd) | 1050        |
| TOTAL TANK CAPACITY (gal)       | 4000        |
| OVERALL LENGTH                  | 22' - 3"    |
| DIAMETER (in.)                  | 72          |
| INLET HEIGHT (in.)              | 64          |
| OUTLET HEIGHT (in.)             | 56          |
| MAX BOD LOADING (mg/L)          | 300-600     |
| MAX TSS LOADING (mg/L)          | 250-500     |
| MAX NH3 LOADING (mg/L)          | 75          |
| MAX FOG LOADING (mg/L)          | 75          |
| RECIRCULATION CONTROL           | MECHANICAL  |
| ALARM CONTROL PANEL             | PROPRIETARY |
| REMOTE TELEMTRY                 | OPTIONAL    |

|   |                  |                                    |                              |   |                           |
|---|------------------|------------------------------------|------------------------------|---|---------------------------|
| MODEL:<br>CS1050LC<br>ENVIROSERVER<br>ADVANCED WASTEWATER<br>TREATMENT SYSTEM |                  | PROJECT:<br><br>PRODUCT<br>DRAWING |                              | <br>10 W AirPark Vista BLVD<br>Dayton, NV 89403<br>1(877)4SEPTIC [1-877-473-7842]<br>www.microseptec.com |                           |
| SCALE:<br>NONE  | DRAWN BY:<br>MJS | ORG. DWG DATE:<br>12/30/2019       | REV. DWG DATE:<br>09/15/2023 | SHEET SIZE:<br>11" x 17"  | SHEET NUMBER:<br>CS1050LC |