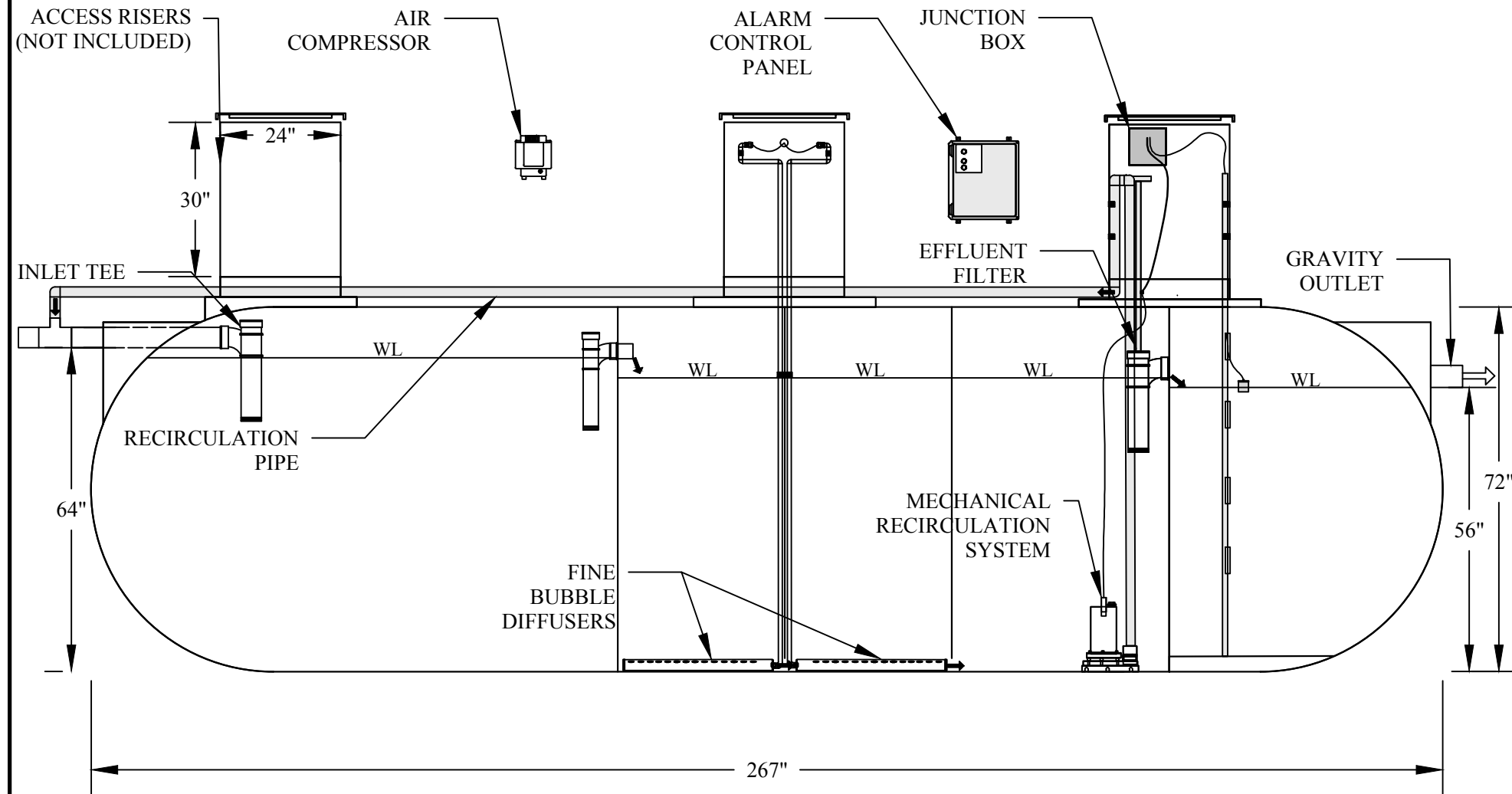



ENVIROSERVER - CS SERIES CS1050-GRAV/MRP

DESCRIPTION:

PRIMARY AND SECONDARY WASTEWATER TREATMENT DEVICE USING BOTH FIXED FILM AND SUSPENDED GROWTH WITH MULTI-STAGE AEROBIC PROCESS. TANK CAPACITIES LISTED ARE FOR STANDARD UNITS



DESIGN TREATMENT CAPACITY (gpd)	1050
TOTAL TANK CAPACITY (gal)	3822
OVERALL LENGTH	22' - 3"
DIAMETER (in.)	72
INLET HEIGHT (in.)	64
OUTLET HEIGHT (in.)	56
MAX BOD LOADING (mg/L)	900
MAX TSS LOADING (mg/L)	900
MAX NH3 LOADING (mg/L)	75
MAX FOG LOADING (mg/L)	50
RECIRCULATION CONTROL	MECHANICAL
ALARM CONTROL PANEL	PROPRIETARY
REMOTE TELEMTRY	OPTIONAL

MODEL: CS1050 ENVIROSERVER ADVANCED WASTEWATER TREATMENT SYSTEM		PROJECT: INSTALLATION DRAWING		 233 MADERO STC MISSION VIEJO, CA 92691 1(877)4SEPTIC [1-877-473-7842] www.microseptec.com	
SCALE: NONE	DRAWN BY: XXX	ORG. DWG DATE: 12/30/2019	REV. DWG DATE: XX/XX/XXXX	SHEET SIZE: 11" x 17"	SHEET NUMBER: CS1050